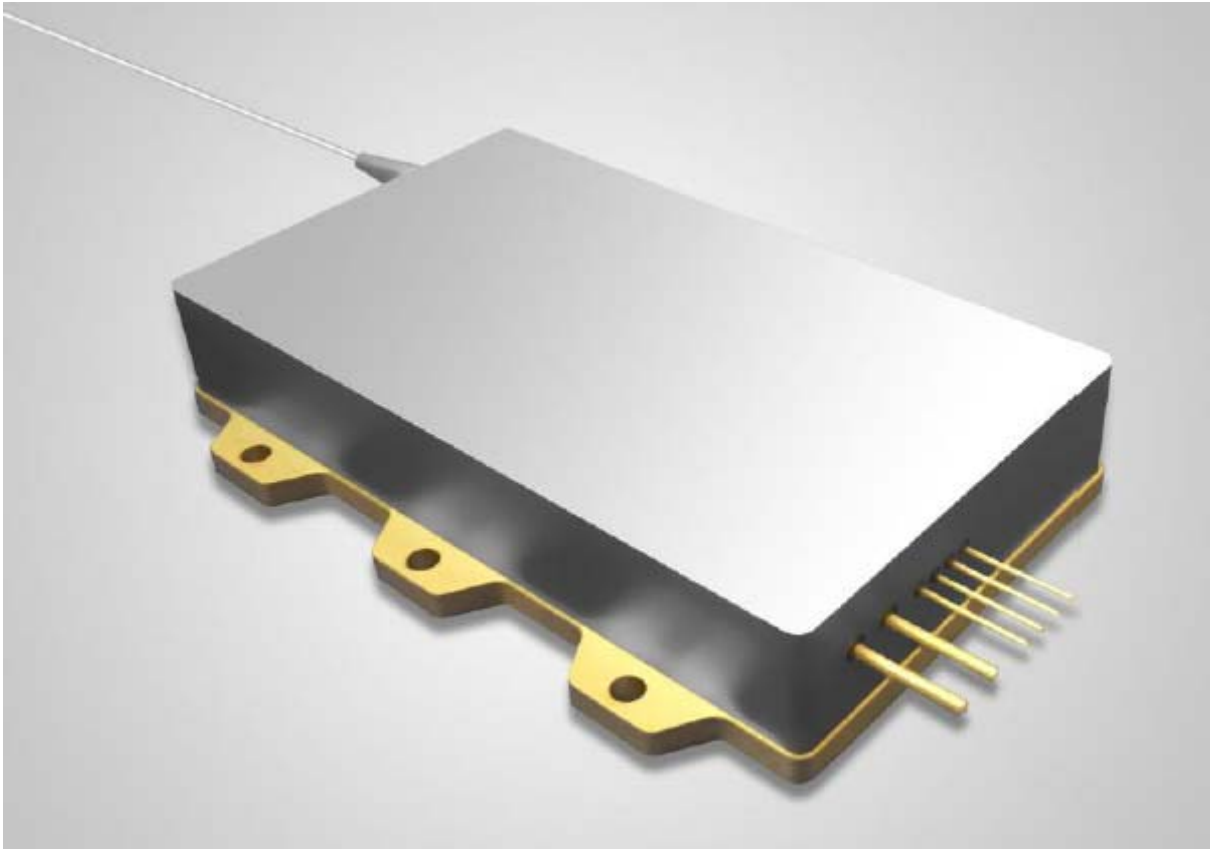


793nm 50W Fiber Coupled Diode Laser STK793DG5RN-50.00W



Features:

- 793nm wavelength
- 50W output power
- 105 μ m fiber core diameter
- 0.22N.A.
- 1900nm-2100nm feedback protection

Applications:

- Fiber laser pumping
- Solid state laser pumping

Our High Power Diode Laser Modules are manufactured by adopting specialized fiber-coupling techniques, resulting in volume products with a high efficiency, stability and superior beam quality. The products are achieved by transforming the asymmetric radiation from the laser diode chip into an output fiber with small core diameter by using special micro optics. Inspecting and burn-in procedures in every aspect come to a result to guarantee each product with the reliability, stability and long lifetime.

Our research staffs are constantly improving and innovating the processing technology in the producing process, based on the professional knowledge and experience accumulated in long-terms. We are also continuously developing new products to meet customers' specific needs.

To provide high quality products with reasonable price is our always goal.

Specifications(25°C)		Symbol	Unit	STK793DG5RN-50.00W		
				Minimum	Typical	Maximum
Parameter⁽¹⁾	CW Output Power	P_O	W	50	-	-
	Threshold current	I_{th}	A	-	1	-
	Operating current	I_{op}	A	-	-	5.5
	Operating voltage	V_{op}	V	-	-	28
	Slope Efficiency	η	W/A	-	9	-
	Electrical-to-Optical Efficiency	PE	%	-	40	-
	Center wavelength	λ_c	nm	790	-	796
	Spectral width(FWHM)	δ_λ	nm	-	2	4
	Back reflection wavelength Range ⁽²⁾	λ	nm	1900	-	2100
	Back reflection isolation	-	dB	-	30	-
	Wavelength Shift with Temperature	-	nm/°C	--	0.3	-
	Light within 0.15NA	-	%	-	85	-
Fiber Date	Buffer diameter	D_{bur}	μm	-	250	-
	Cladding diameter	D_{clad}	μm	-	125	-
	Core diameter	D_{core}	μm	-	105	-
	Numeric aperture	NA	-	-	0.22	-
	Fiber length ⁽³⁾	l_f	m	-	1	-
	Fiber Bend Radius	-	mm	60	-	-
Others	ESD	V_{esd}	V	-	-	500
	Storage temperature	T_{stg}	°C	-20	-	70
	Lead Soldering Temp	T_{is}	°C	-	-	260
	Lead Soldering Time	t	sec	-	-	10
	Operating case temperature ⁽⁴⁾	T_{op}	°C	15	-	35
	Relative Humidity	RH	%	15	-	75

(1) Data measured under operation output at 50W.

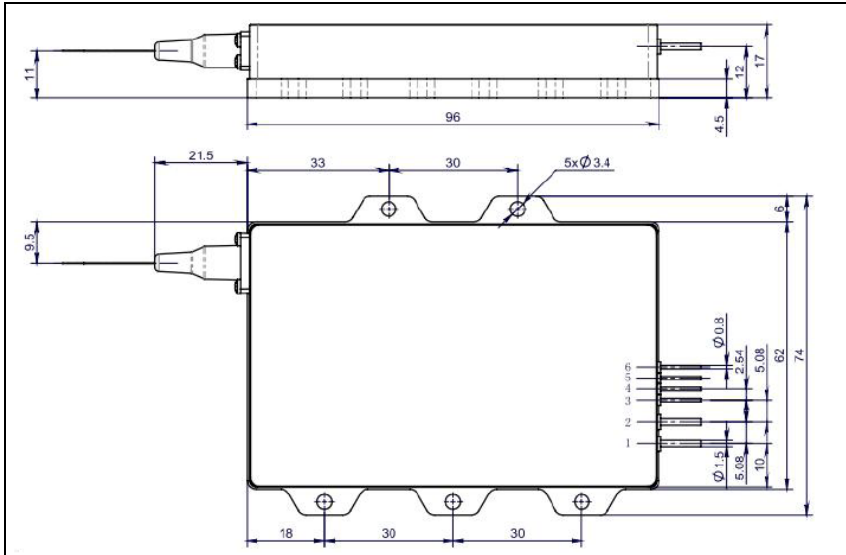
(2) Other length available upon request.

(3) Other length available upon request.

(4) Operating temperature defined by the package case. Acceptable operating range is 15 - 35C, but performance may vary.

OPERATING NOTES

- Avoid eye and skin exposure to direct radiation during operation.
- ESD precautions must be taken during storage, transportation and operation.
- Short-circuit is required between pins during storage and transportation.
- Please connect pins to wires by solder instead of using socket when operation current is higher than 6A. Soldering point should be close to the root of the pins. Soldering temperature should be lower than 260°C and time shorter than 10 second.
- Make sure the fiber output end is properly cleaned before operation of laser. Follow safety protocols to avoid injury when handling and cutting the fiber.
- Use constant current power supply to avoid surge current during operation.
- Laser diode must be used according to the specifications.
- Laser diode must work with good cooling.
- Operation temperature ranges from 15°C to 35°C.
- Storage temperature ranges from -20°C to +70°C.



Pins	Function
1	LD (+)
2	LD (-)
3	Thermistor*
4	Thermistor*
5	PD (N) *
6	PD (P) *