

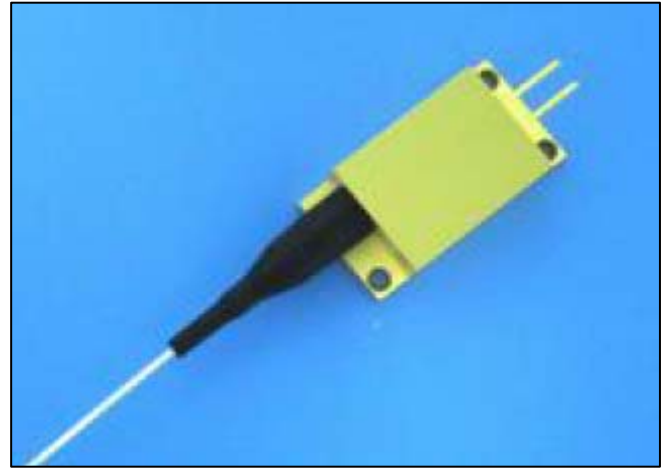
Fiber-coupled Laser Diode STC-LDM-915-20-T2

Characteristics

Output Power: 20W
Wavelength: 915nm
Fiber Core Diameter: 105µm
Numerical Aperture: 0.22
Fiber laser feedback protection

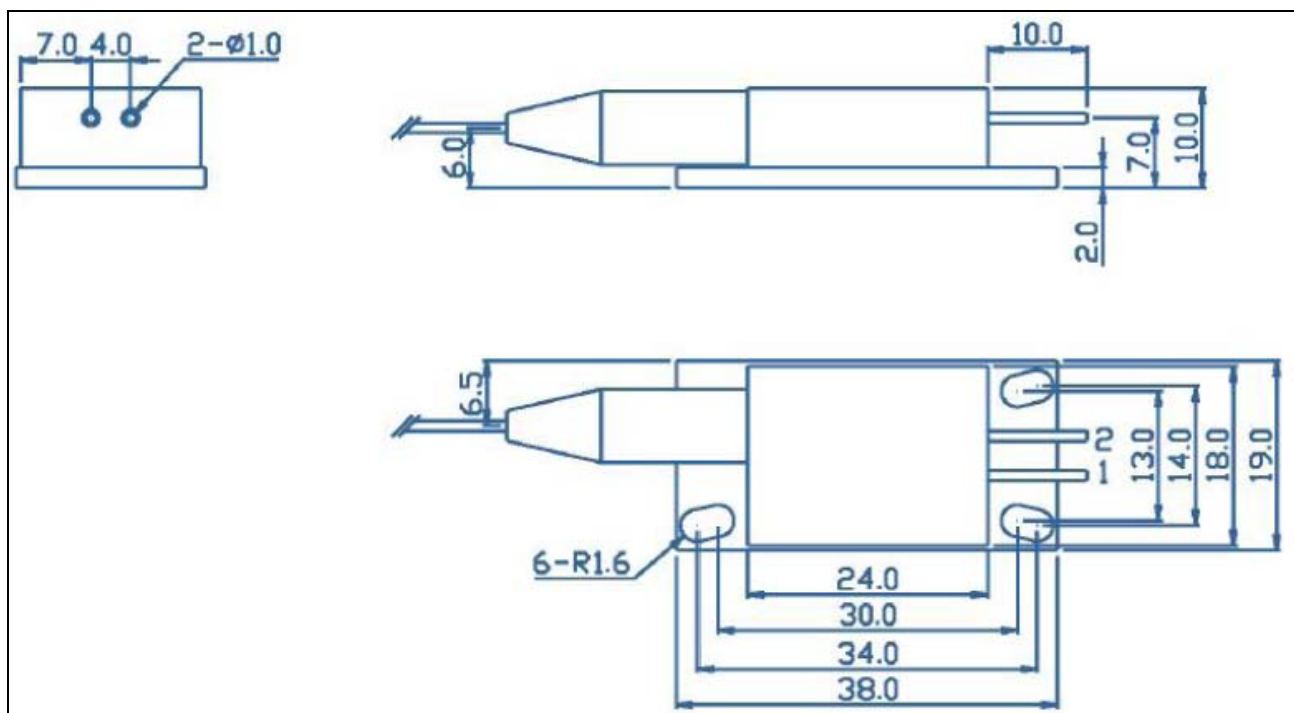
Applications

Fiber laser pumping
Medical Applications
Material processing



	Parameter	Symbol	Typical	Unit
Optical	CW Out Power	Pop	20	W
	Center Wavelength		915±10	nm
	Spectral Width (90% of Power)	Δ	<6	nm
	Wavelength Shift with Temperature	$\Delta / \Delta T$	0.3	nm / °C
Electrical	Threshold Current	I _{th}	0.7	A
	Operating current	I _{op}	11.7	A
	Operating Voltage	V _{op}	3.5	V
	Slope Efficiency	η	1.8	W/A
	Power Conversion Efficiency	η_{ep}	49	%
Fiber	Core Diameter	d _{core}	105	µm
	Cladding Diameter	d _{clad}	125	µm
	Numerical Aperture	NA	0.22	-
	Connector	-	SMA905	-

Parameter	Operating Temperature/°C	Operating Relative Humidity/%	Storage Temperature/°C	Storage Relative Humidity/%	Lead Soldering Temperature, 10s max/°C
Min	10	-	-20	-	-
Max	40	75	80	90	250



Pins and Functions			
Pin	Function	Pin	Function
1	Laser(+)	2	Laser (-)