

Fiber Coupled Diode Laser (CW)

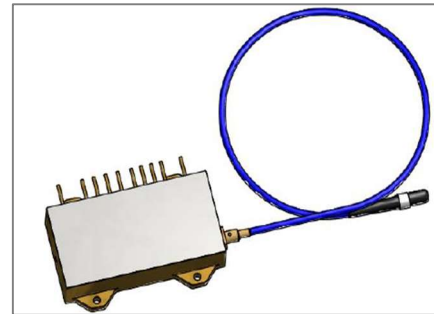
P/N: STHL-810/915/1064/635-20/20/20/0.5-200-0.22

Features:

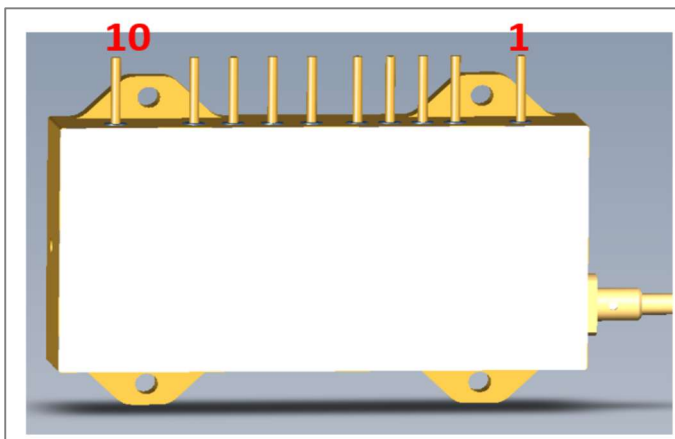
- High Power
- Long lifetime
- Multi-wavelength

Application:

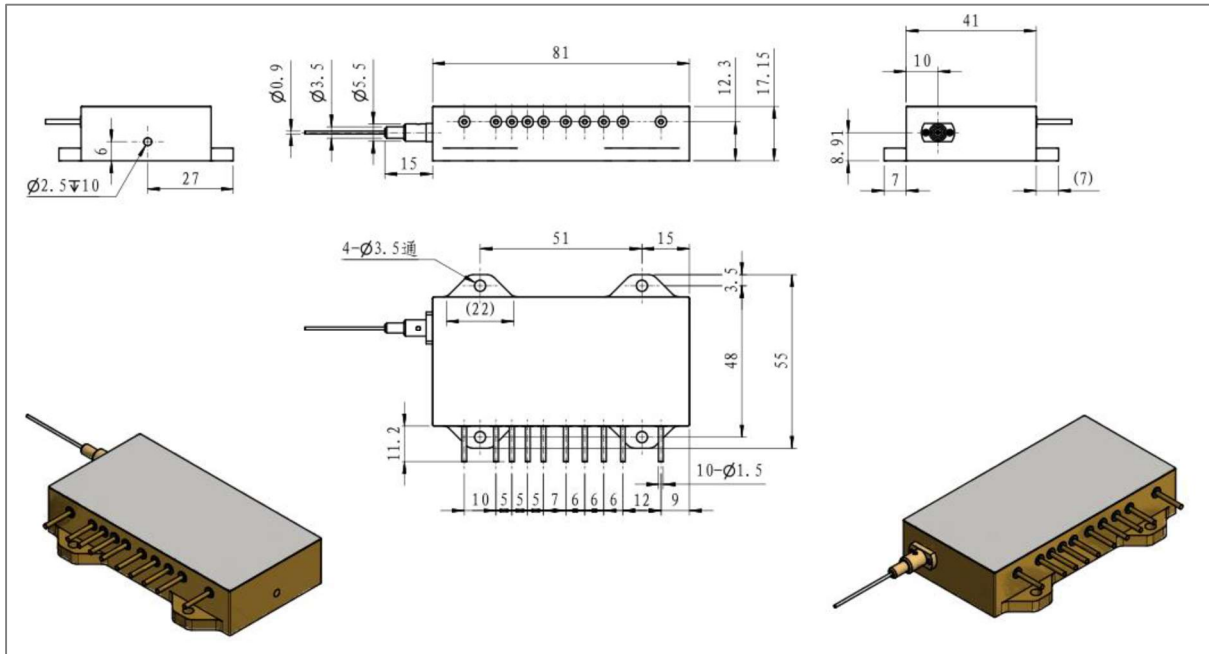
- Medical
- Scientific Research


Product Specification

Model	Unit	Lower spec	Typical	Upper Spec
Optical	Output peak Power	W	20/20/20/0.5	
	Center Wavelength λ	Nm	810/915/1064/635	
	Spectral Width FWHM	Nm	4/6/6/4	
	Wavelength Temp. Coefficient	nm/°C	0.28/0.32/0.36/0.2	
Fiber Parameters	Fiber Numerical Aperture	NA	0.22	
	Fiber Core	μm	200/220	
	Connector Type	-	SMA905	
	Fiber length	m		2.5
	Tube Diameter	mm	9	
Electrical Parameters	Operating Current I_{op}	A	12/12/12/1.3	
	Threshold Current I_{th}	A	1.4/1.1/1.3/0.5	
	Operating Voltage V_{op}	V	3.8/3.8/5.3/2.2	
	Slope Efficiency	W/A	1.8/2/1.6/0.5	
	Power Conversion Efficiency	%	42/48/40/25	
Thermal Parameters	Operating Temperature	°C	20	30
	Operating relative humidity	%		75
	Storage Temperature	°C	-20	70
	Storage relative humidity	%	5	85
	Recommended Thermal Dissipation Capacity	W		≥ 80

Connection Diagram:


Pin	Function	Pin	Function
1	/	6	808nm (-)
2	/	7	915nm (+)
3	638nm (+)	8	915nm (-)
4	638nm (-)	9	1064nm (+)
5	808 (+)	10	1064nm (-)



This structure drawing is only for reference. For any other special requirement, please feel free to contact us.