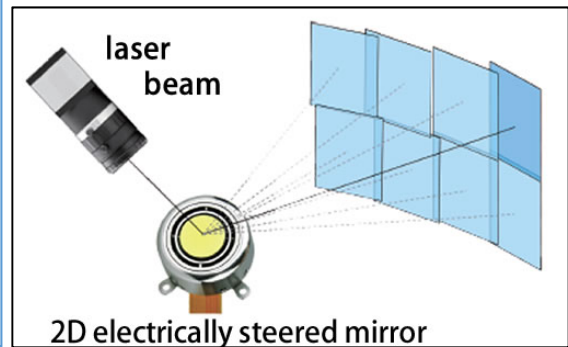
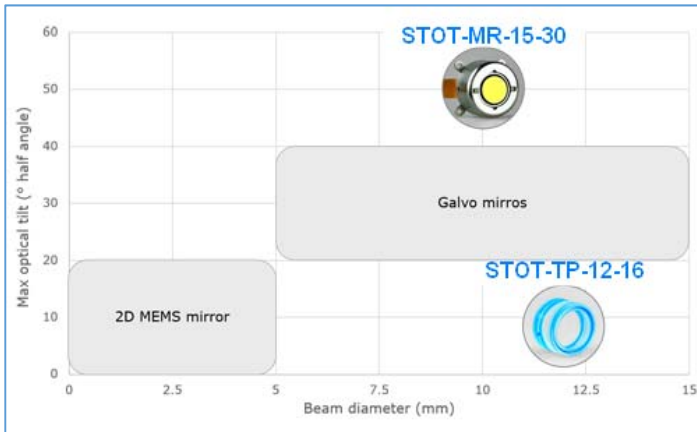


## Beam Steering

Whether in R&D or in product development, our disruptive 2D beam steering solutions offer completely new design and integration possibilities. They can be used in reflection mode (2D mirror) or in transmission mode (tunable prism).

**Main features:**

- 2D beam deflection with a single optical element
- Large clear apertures and beam angles
- Compact & lightweight



**Dual axis vector scan mirror with position feedback**

Our dual axis mirrors offer the benefit of large deflections and large mirror size in a compact package. The actuator is based on proven technologies. A built-in position feedback allows it to be accurately controlled with a standard PID controller. The virtual rotation point of our 2D mirrors is close to the mirror surface which makes 2D scanning straight forward. Applications range from automotive (LiDAR, dynamic headlights, ADAS) and vision (field-of-view expansion, zoom) to biometric (eye-tracking), diagnostics and 3D printing.

**Tunable prism for laser alignment and image stabilization**

Our tunable prism (TP) is suitable for optical alignment and beam-steering in transmission. The core element can be combined with your preferred actuation method and achieve a compact form factor. The low absorption makes it suitable for high-power applications. Thanks to the low dispersion liquid it can also be used for polychromatic applications.

**3D beam steering**

Combining a 2D mirror for x/y with an electrically focus tunable lens allows you to direct your laser beam spot precisely and fast at any point within the addressable volume. This can be of interest for dynamic headlights, diagnostic and spectroscopic devices and 3D printing.



## 1. Dual axis vector scan mirrors with position feedback

STOT-MR-15-30, STOT-MR-10-30

### Compact, fast and precise beam steering

Our dual axis mirror series (called as voice-coil mirror, scan mirror or beam steering mirror) is the ideal choice for applications that require a large field of view combined with a compact form factor. With a package size of 30 x 14.5 mm it achieves up to  $\pm 25^\circ$  mechanical tilt, corresponding to  $\pm 50^\circ$  optical deflection. The mirrors contain a position feedback system enabling accurate control of deflection angle within  $\pm 100$  mrad using a standard PID controller.

In addition to the popular quasi-static version, two resonant versions are available: First, a single axis resonant mirror. Second, a linear axis combined with a perpendicular resonant axis. In contrast to galvo mirror heads, the rotation point is very close to the mirror surface. The mirrors are available for use with light in different wavelength ranges such as UV, VIS, and NIR.

### Advantages

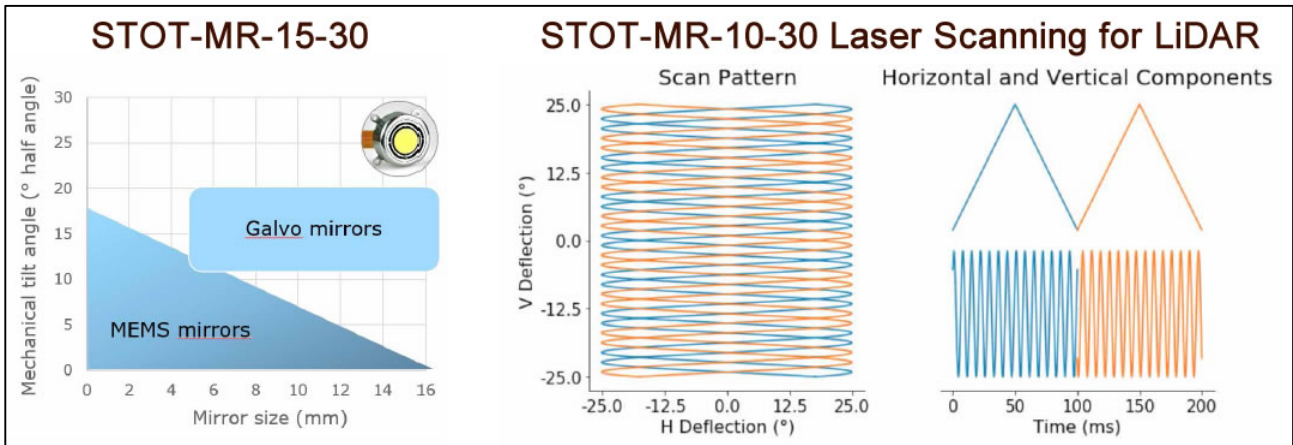
Large 2D scan angle  
Compact  
Precise

### Applications

Automotive (LiDAR, dynamic headlights, ADAS)  
Vision (field-of-view expansion, zoom)  
Biometric (eye-tracking) , diagnostic equipment & 3D printing



Specifications	STOT-MR-15-30	STOT-MR-10-30
Scan direction	bi-axial	bi-axial
Mechanical tilt angle	$\pm 25^\circ$ X axis; $\pm 25^\circ$ Y axis	$\pm 25^\circ$ (slow) X axis; $\pm 12.5^\circ$ (fast) Y axis
Mirror diameter	15 mm	10 mm
Resolution (closed loop)	<5 mrad	<5 mrad
Repeatability RMS (typical)	30 - 100 mrad	30 - 100 mrad (slow) X axis
Full scale bandwidth	20 Hz	20 Hz (slow) X axis; 280 Hz (fast) Y axis
Mirror coating	gold, protected silver	gold, protected silver
Mirror reflectivity (gold coating)	avg >97% for NIR	avg >97% for NIR
Mirror flatness (P-V)	1/2	1/2



## 2. Tunable prism for laser alignment and image stabilization STOT-TP-12-16

The tunable prism is a tunable wedge that allows to tilt two optically flat and AR coated glass windows with respect to each other. The two glass windows are held together by a bellow structure that is filled with a low dispersion clear optical fluid. The core element can be integrated with a large variety of actuation principles such as mechanical or motorized lead screws, voice-coil and piezo actuators.

The following table outlines the specifications of our standard tunable prism core element for a particular fluid. Cover glass coatings and fluids can be adapted on demand.

### Applications

- Intuitive beam-steering in transmission configuration
- Alignment between source and detector
- Laser range finder
- Image stabilization

### Customization

Our tunable prism can be tailored to your specific requirements. Contact us with your requirements and we would be happy to assess the feasibility of your project.



The following table summarizes the main specifications of the STOT-TP-12-16:

	Clear aperture	Outer diameter	Max mech. tilt angle	Max. optical deflection
STOT-TP-12-16	12mm	16mm	+/- 20°	8.2°

### Mechanical Specifications:

- Clear aperture: 12mm
- External diameter: 16mm
- Thickness: 12 ± 0.5mm
- Weight: 3.4g
- Max. mechanical tilt angle (center pivot point): 20degree

### Optical Specifications:

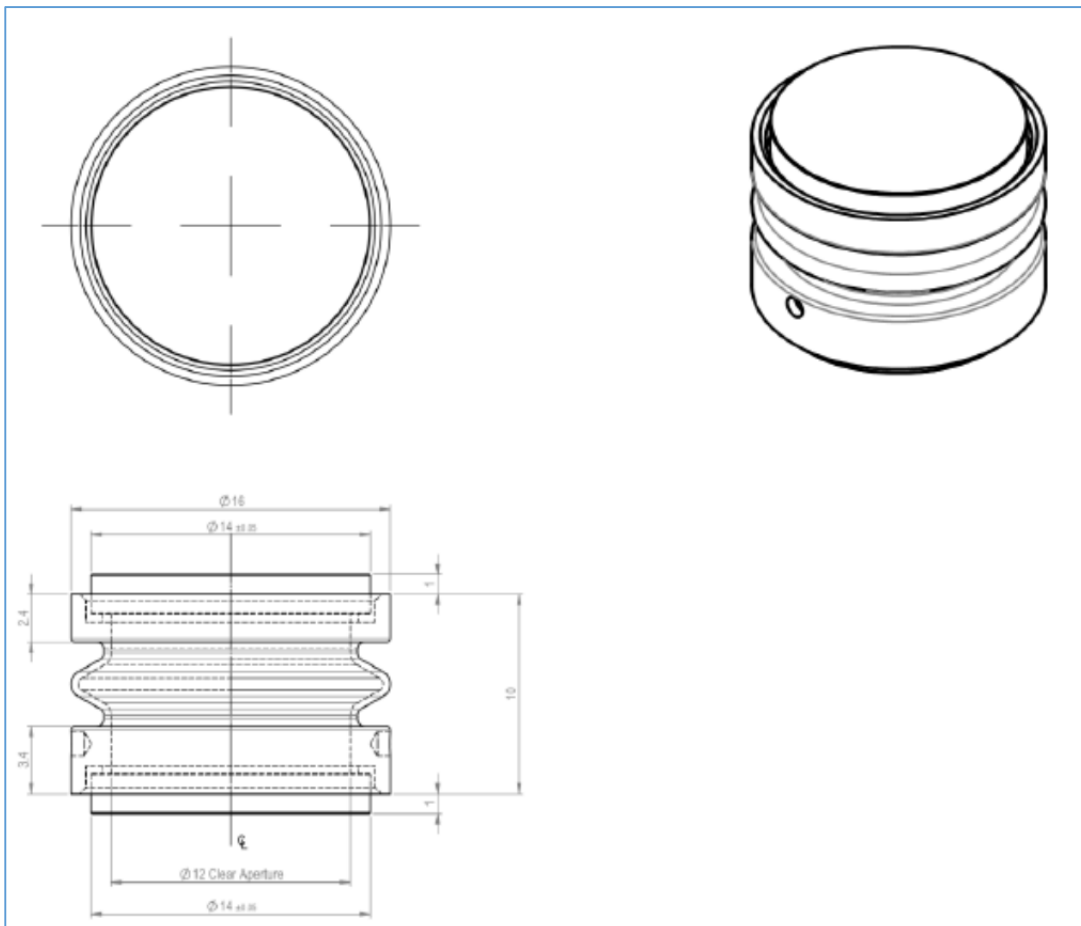
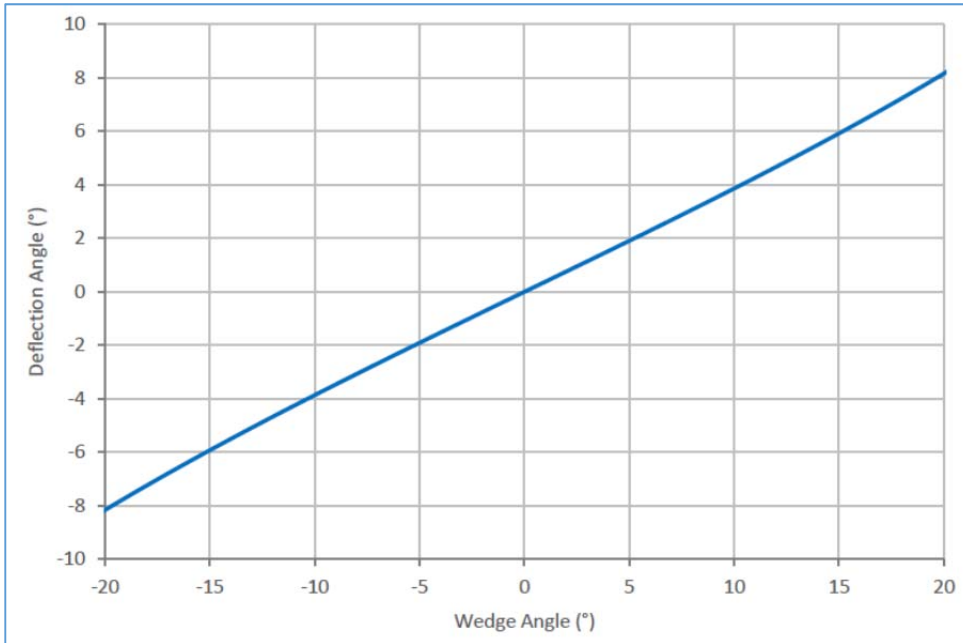
- Max optical deflection @ 525nm: 8.2degree
- Refractive index (25°C, @525nm): 1.38
- Abbe number V (at 25°C): 63
- Flatness of windows @525nm: 0.5 lambda
- Refractive index vs temperature (dn/dT): -3.3e-4 1/°C
- Transmission spectrum: 420-950 nm
- Optical damage threshold @ 525nm: Depends on selected coating
- Absorption: <0.1%
- Polarization change: preserving
- Storage temperature: [-40,+85] °C
- Operating temperature: [-40,+85] °C

### Beam deflection

The beam deflection of a ray passing through the wedge with an apex angle  $\theta_w$  from left to right is determined by

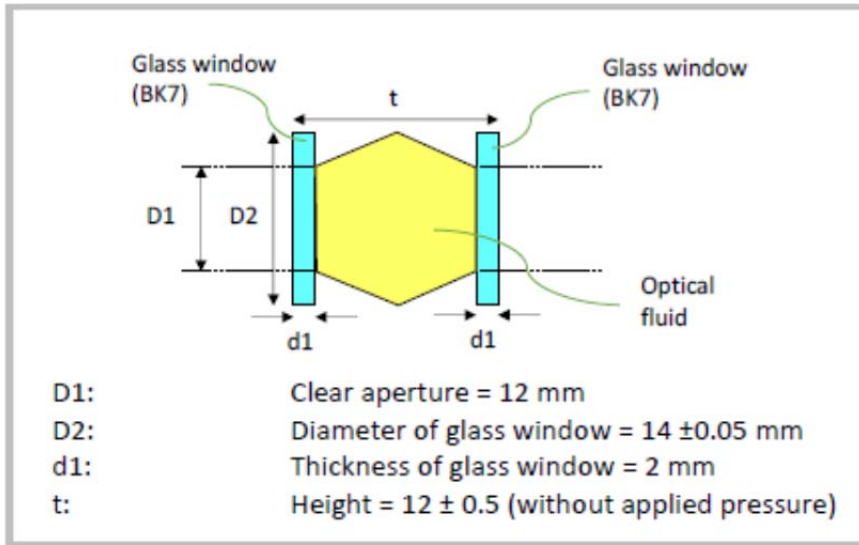
$$\theta_d = \sin^{-1}(n \cdot \sin \theta_w) - \theta_w$$

Where  $n$  is the refractive index of the optical fluid inside the wedge.



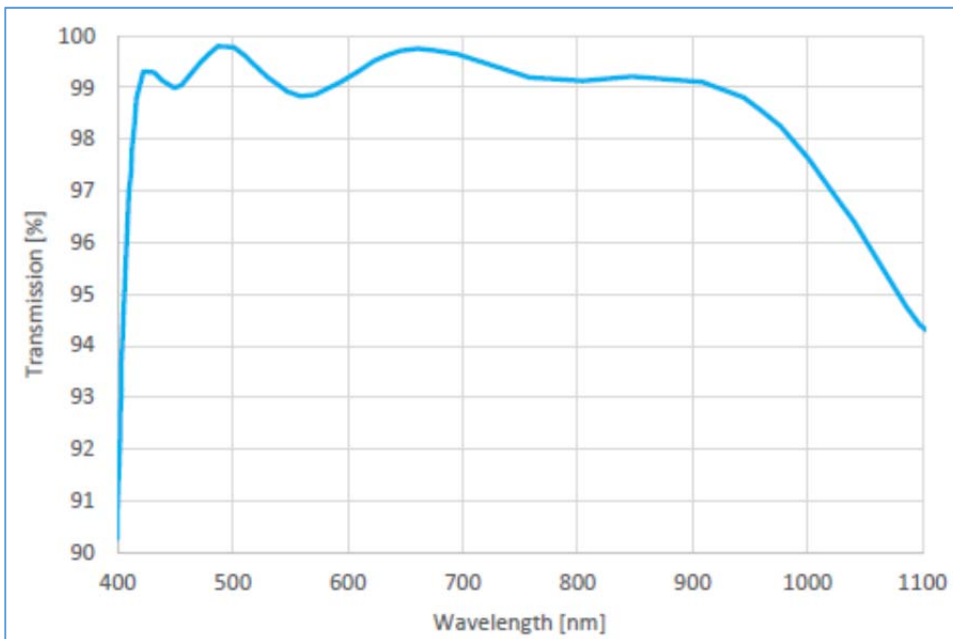
## Optical layout

The following figure contains the information needed to model the STOT-TP-12-16 for simulations.



## Transmission range

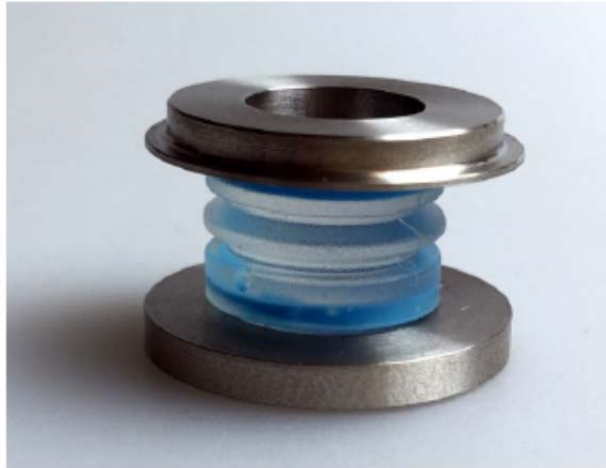
The optical fluid and the two glass windows are highly transparent and hardly absorbing in the range of 250 – 2500nm. The figures below show the transmission spectrum for the standard extended VIS coating (420-950 nm) assuming normal incidence. By request cover glasses can be coated as desired.



## Mounting possibilities

There are various mounting possibilities for the STOT-TP-12-16. A simple mechanical gimbal mount based on off-the-shelf components is shown as follows:





### 3. Mirror Driver STOT-MR-E-2

The STOT-MR-E-2 driver is an ideal solution for driving the MR-series 2D beam steering mirrors. It consists of a base unit containing control electronics and an integrated head unit with mirror and driving electronics. The driver in the standard version with housings can be used for testing and proof of concept work. The boards without housing are available as OEM version for integration with system electronics.



The driver is compatible only with our mirrors and allows various operation modes. The driver can be controlled from a host PC via our user interface. In addition, the driver offers the following communication interfaces:

USB, UART

SPI (I2C available as customization)

Analog input ( $\pm 5$  V)

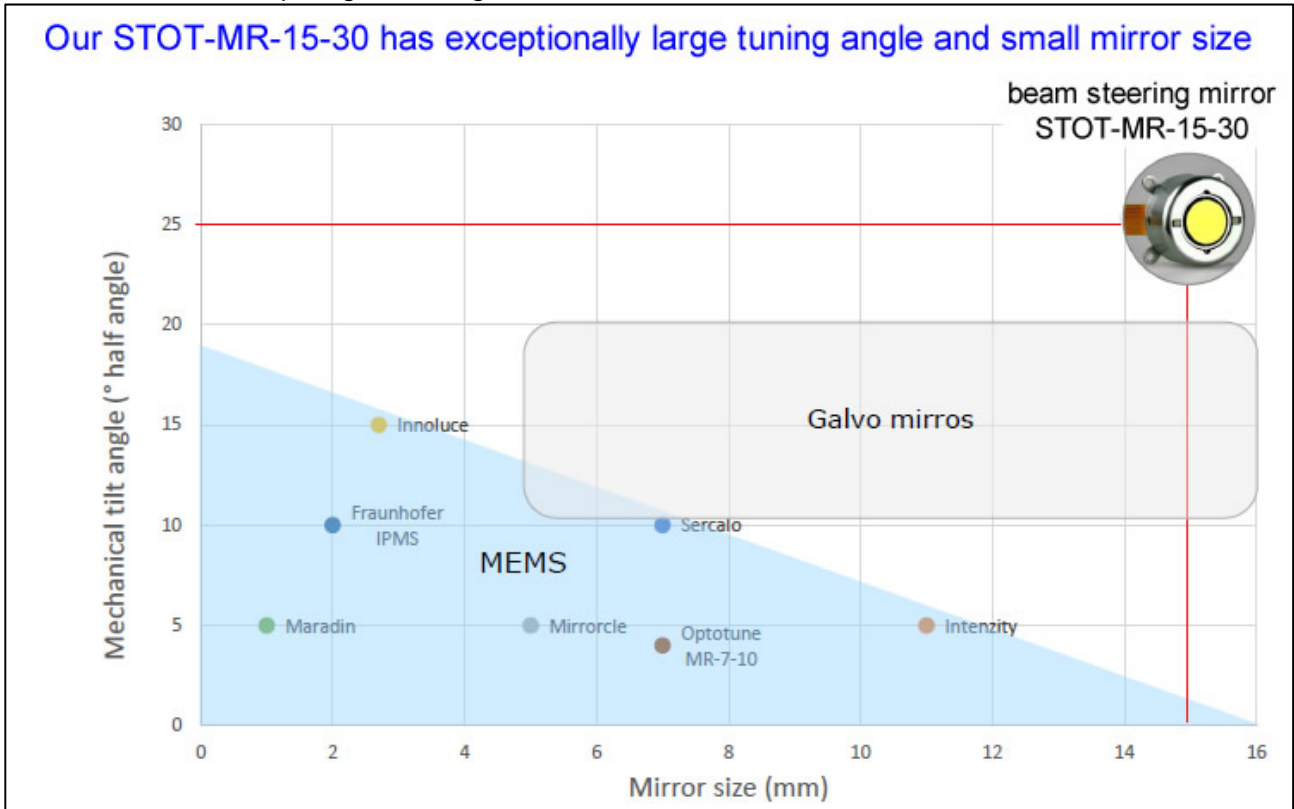
Software SDKs for Python and C# are available. The driver is RoHS, REACH and CE certified.

Standard products	Mirror type included	Components included
STOT-MR-E-2 Base unit	N/A	STOT-MR-E-2 Base unit controller box, power supply, USB cable
STOT-MR-E-2 Mirror head gold	STOT-MR-15-30-G-25x25D	Mirror head (incl. mirror and cable) protection cap, heatsink
STOT-MR-E-2 Mirror head silver	STOT-MR-15-30-PS-25x25D	Mirror head (incl. mirror and cable), protection cap, heatsink
STOT-MR-E-2 Mirror head custom	STOT-MR-C-15-30 (custom mirror), or resonant mirror	Mirror head (incl. mirror and cable), protection cap, heatsink

	STOT-MR-10-30-G/MR-10-30-PS	
STOT-MR-E-2 OEM version	N/A	Carrier board (without housing), CPU board (without housing), proxy board (without mirror head), connection cable

## 4. Comparison of Scanning Technologies

Tilt vs Mirror Size-competing technologies



Voice-coil Mirror (VCM, beam steering mirror) in Comparison to MEMS and Galvo

Scanning technologies	Angular range	Mirror size	Compactness	Real 2D	Accuracy	Speed	Robustness	Optical quality	Thermal operating range	Special packaging	Power consumption
<b>VCM (Voice-coil mirror)</b> beam steering mirror	●	●	◐	●	●	◐	●	●	●	●	◐
<b>MEMS</b>	○	○	●	●	◐	●	◐	◐	●	○	●
<b>Galvo</b>	◐	●	○	○	●	◐	◐	●	●	●	○

Source: Press & internet research

Competitive advantage: ○ Low ◐ Medium ● High