

# STSF6015

## Laser diode driver

### Datasheet & User Manual

Before powering on your driver, read this manual thoroughly.  
If you have any doubt or suggestion, please do not hesitate to contact us!

#### 1. Features

- Low current ripple
- No need to adjust voltage
- Soft-start
- Adjustable overcurrent limit
- Thermal warning and shutdown
- Reverse current protection
- Crowbar circuit protection
- Universal controls
- NTC thermistor input

#### 2. Applications

- Supplying laser diodes, bars and arrays
- Supplying high power LED arrays

#### 4. Package set

- Driver – 1 pcs
- 50 cm ribbon cable with one 8-pin connector – 1 pcs
- 50 cm ribbon cable with one 14-pin connector – 1 pcs
- Wires fixing set – 1 pcs
- Datasheet & User Manual – 1 pcs

#### 5. Overall dimensions and weight

The driver has overall dimensions of 57.9 x 36.8 x 15 mm and a weight of 55 g.

#### 6. Absolute maximum ratings\*

	MIN	MAX	UNIT
Vin+ to Vin-	-0.3	15	V
Operating temperature	-40	50	°C
Analogue control pins to GND	-0.3	5.5	V
RS-232 RXD to GND	-25	25	V
RS-232 TXD to GND	-13.2	13.2	V
UART RXD to GND	-0.3	5.5	V
UART TXD to GND	-0.3	5.5	V

\*Stresses beyond those listed under absolute maximum ratings may cause permanent damage to the device. These are stress ratings only, which do not imply functional operation of the device at these or any other conditions beyond those indicated under recommended operating conditions. Exposure to absolute-maximum-rated conditions for extended periods may affect device reliability.

#### 7. Recommended operating conditions

	MIN	MAX	UNIT
Input voltage ( $V_{in}$ )	10	14	V

Operating temperature	-10	40	°C
Analogue control pins to GND	0	5	V
RS-232 RXD to GND	-12	12	V
RS-232 TXD to GND	-12	12	V
UART RXD to GND	0	5	V
UART TXD to GND	0	5	V

### 8. Power supply requirements

The driver requires a DC power supply. The power supply must be able to cover the driver output power and losses. Nominal input voltage 12V. Power supply used during testing: Mean well SE-1000-12.

### 9. Electrical characteristics

PARAMETER	TEST CONDITIONS	MIN	TYP	MAX	UNIT
<b>OUTPUT</b>					
Output voltage ( $V_{out}$ )		1		$0.75 \cdot V_{in}$	V
Output current ( $I_{out}$ )		0		15	A
Current ripple			12	15	mA
Pulse rate (F)	QCW-mode	0.1		100	Hz
Pulse duration	Set by RS-232 or UART	2	1/F - 2	5000	ms
	Set by analogue pin	0.5		1/F	
Rise time (Soft-start time)	$I_{out} = 15A$	140	400	500	us
	$I_{out} = 7,5A$	150	400	500	us
Fall-time (Stop time)		250	400	1200	us
Output capacitance			100		uF

<b>INPUT</b>					
Vin quiescent current	$V_{in} = 12V$ , no AUX load	50	60	70	mA
Input capacitance			350		uF

<b>CONTROLS</b>					
Enable pin low threshold				1	V
Enable pin high threshold		2.3			V
Interlock pin threshold				1	V
Interlock pin pull-up resistance			10		kΩ
Current set pin voltage vs. output current			3		A/V
Current set step	Set by RS-232 or UART		0.01		A
Current set accuracy <sup>1</sup>	$2A < I_{out} < 5A$		+/- 5		%
	$5A < I_{out} < 15A$		+/- 1		%
Current set calibration		- 5		+ 5	%

<b>AUX SUPPLY</b>					
+/- 15V accuracy			+/- 2		%
+/- 15V output current			20	30	mA
5V accuracy			+/- 1.5		%
5V output current			200	300	mA

<b>INTERNAL MEASUREMENTS</b>					
Internal measurements accuracy			+/-2		%
Current monitor pin voltage vs. output current			3		A/V

<sup>1</sup> See more at regulation characteristic (Figure 5).

Voltage monitor pin voltage vs. output voltage			1		V/V
External sensor temperature	NTC 10k	-10		150	°C

<b>POWER DISSIPATION</b>					
Driver losses	$V_{in} = 14V, I_{out} = 15A$	4	5	6	W

<b>PROTECTIONS</b>					
Crowbar clamp resistance			2.3	2.8	mΩ
Crowbar clamp response time			100	200	ns
Over-temperature warning threshold temp			60		°C
Over-temperature warning hysteresis			2		°C
Over-temperature shut down threshold temp			80		°C
Over-temperature shut down hysteresis			22		°C

### 10. Typical Performance Characteristics

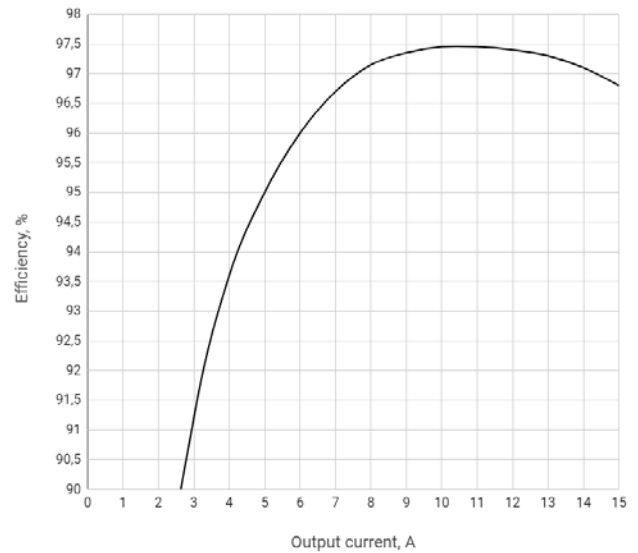
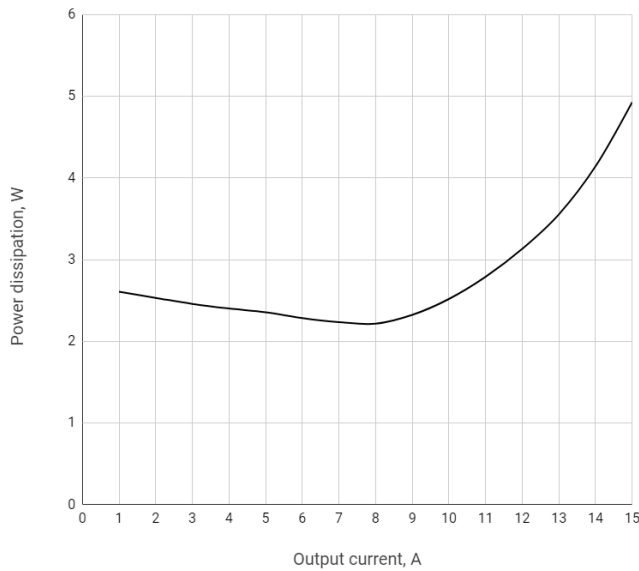


Figure 1 – Power dissipation vs. output current at full load

Figure 2 – Efficiency vs. output current at full load

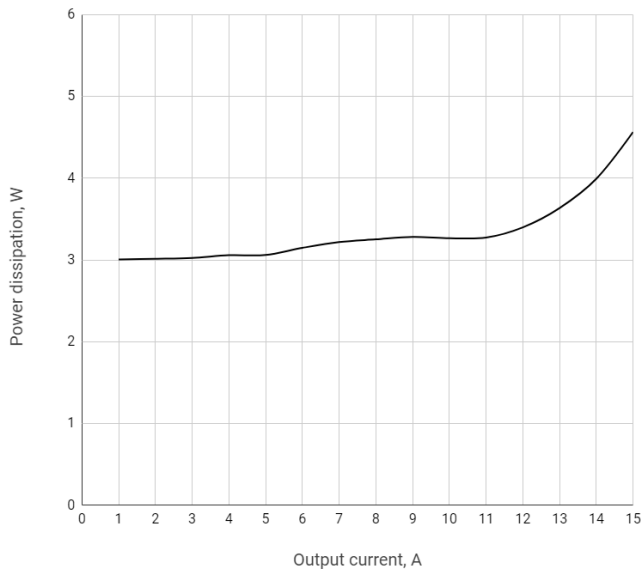


Figure 3 – Power dissipation vs. output current at light load

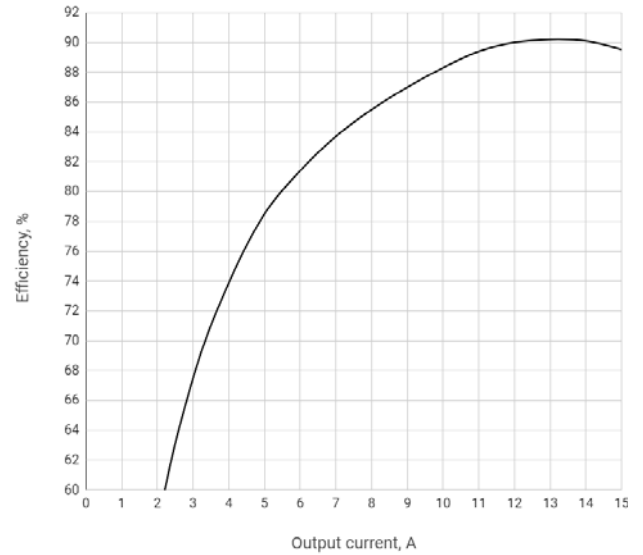


Figure 4 – Efficiency vs. output current at light load

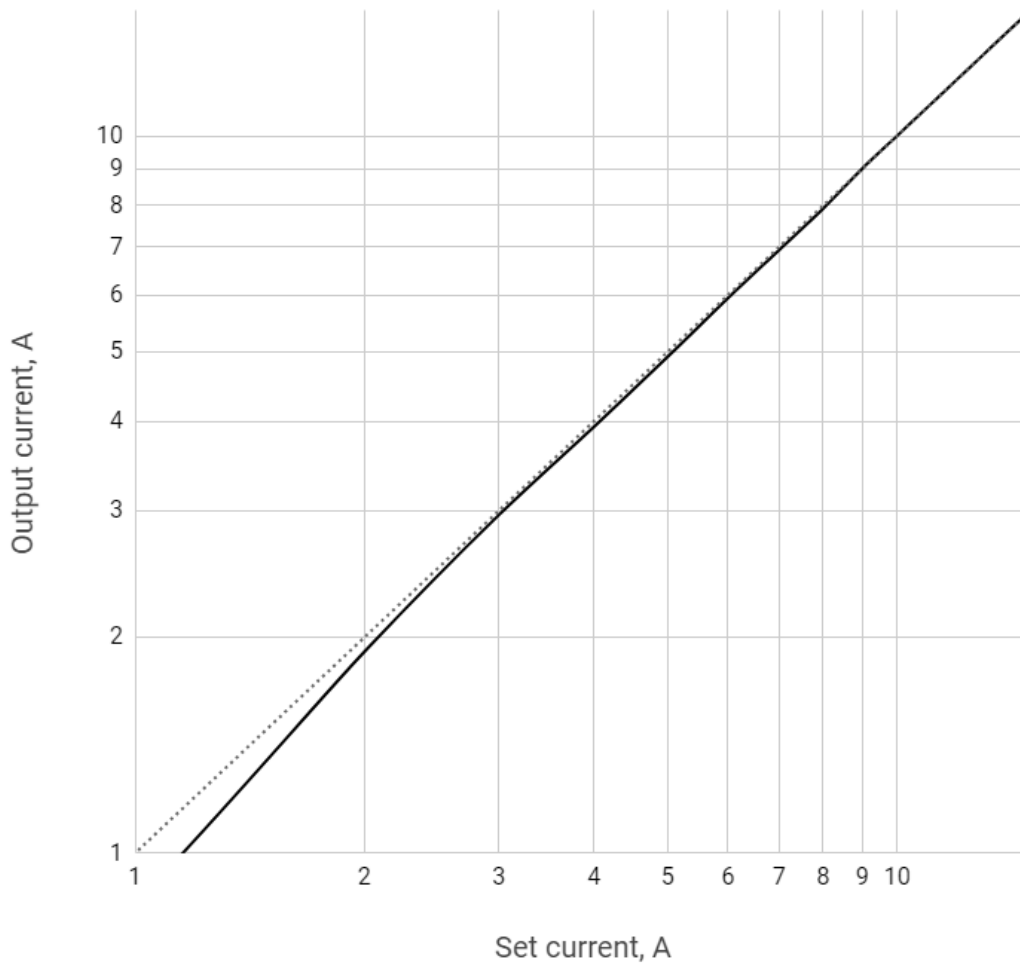


Figure 5 – Regulation characteristic: dotted – ideal, solid – real

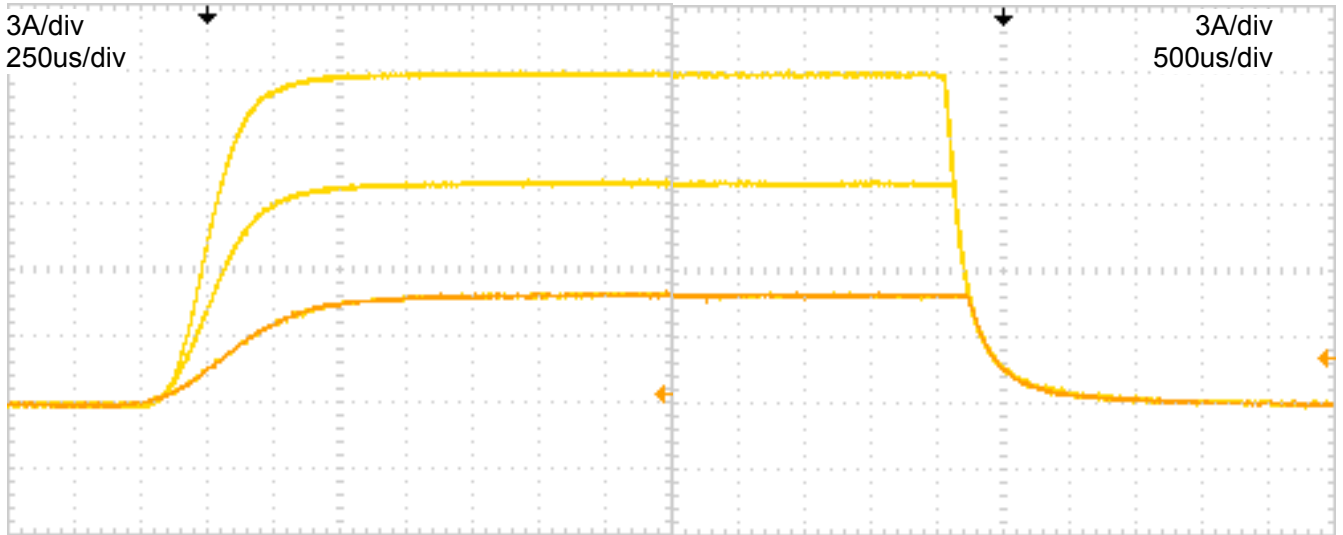


Figure 6 – Typical start up sequence

Figure 7 – Typical stop sequence

**11. Functional schemes**  
**Analogue interface**

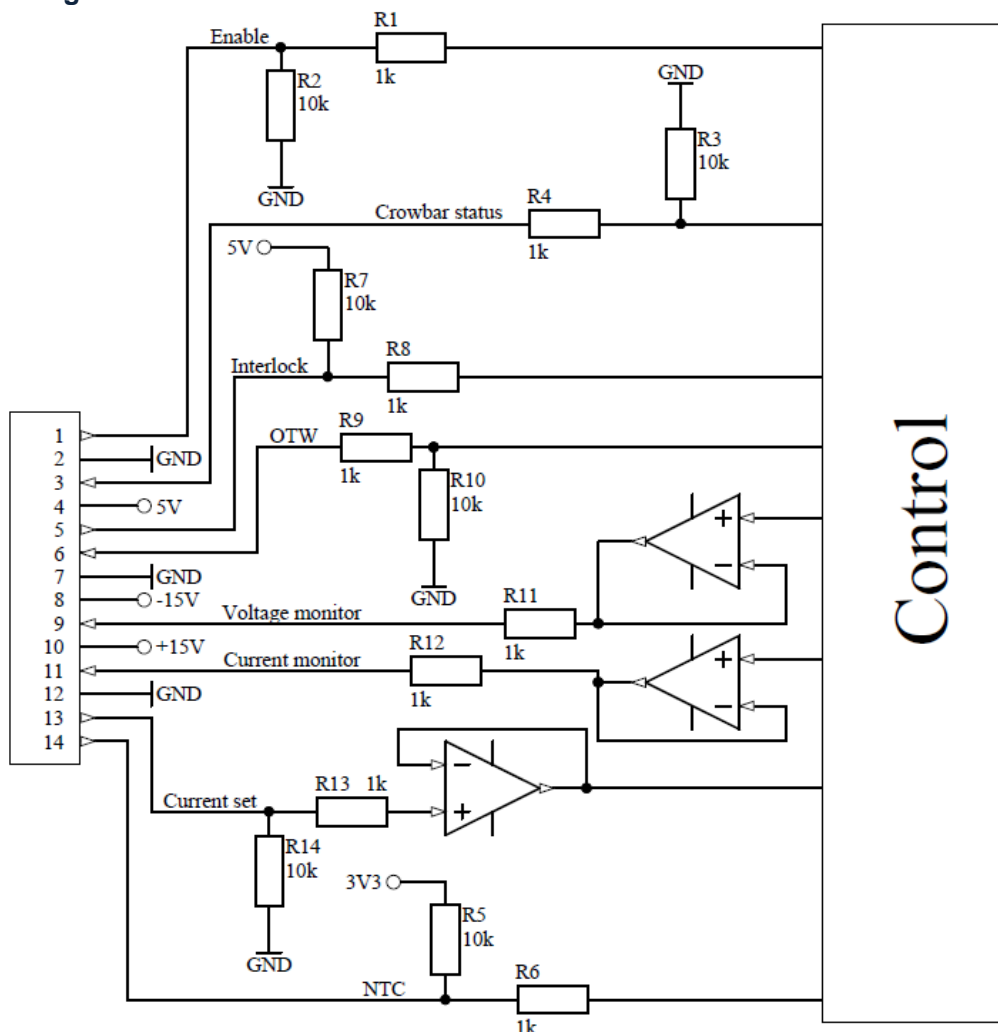


Figure 8 – Analog interface functional scheme

**Power unit**

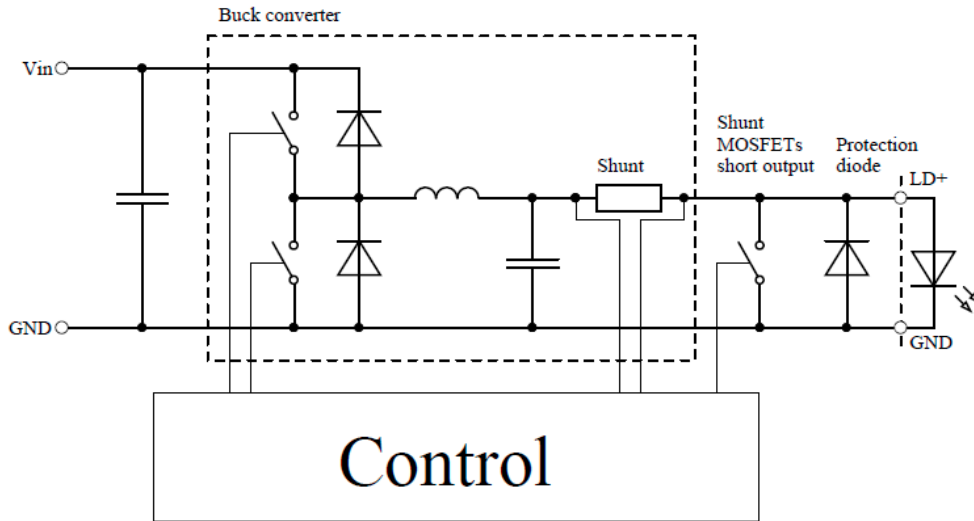


Figure 9 – Power unit functional scheme

**12. Pin and terminal functions**

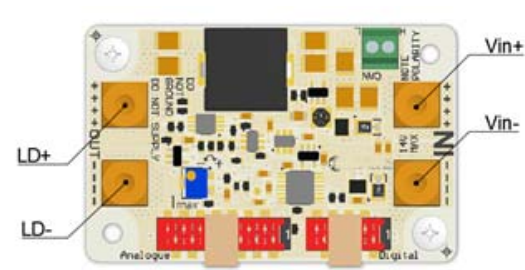
**Please, note polarity!**

**Never ground any lead of the output, this may cause permanent damage to the laser diode and the driver!**

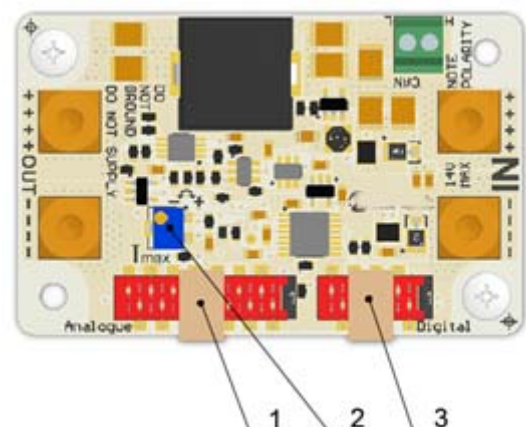
**Never use any grounded probes (e.g. from the oscilloscope) at the output!**

**Control pins are not isolated!**

**Terminals**

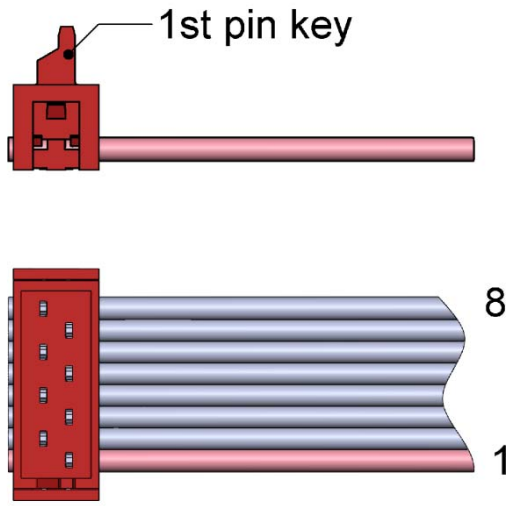
	Terminal	Description
 <p data-bbox="159 1388 686 1433"><b>Please, pay attention to the markings!</b></p>	Vin+	Connect to the positive terminal of the power supply. Please, note polarity!
	Vin-	Connect to the negative terminal of the power supply. Please, note polarity!
	LD+	Connect to the laser diode anode. Please note polarity! <b>Grounding this terminal may cause permanent damage to the driver.</b>
	LD-	Connect to the laser diode cathode. Please note polarity! <b>Grounding this terminal may cause permanent damage to the laser diode.</b>

**Controls**

	No	Description
	1	Analogue control connector
	2	Current limit adjustment potentiometer (adjustment from zero to maximum occurs in 12 turns)
	3	Digital control connector

**Digital control connector**

Wurth WR-MM 6901 5700 08 72 or TE Connectivity 215083-8

	<b>Pin</b>	<b>Description</b>
	1	UART RXD
	2	RS-232 RXD
	3	UART TXD
	4	RS-232 TXD
	5	+5V auxiliary (duplicates pin 4 of analogue control connector)
	6	Interlock (duplicates pin 5 of analogue control connector)
	7	Crowbar status (duplicates pin 3 of analogue control connector)
8	<b>GND</b> (connected to Vin- terminal)	

**Analogue control connector**

Wurth WR-MM 6901 5700 14 72 or TE Connectivity 1-215083-4

<b>PIN</b>	<b>I/O</b>	<b>Name</b>	<b>Description</b>
1	I	Enable	High = operates; Low = stop. Internally pulled down. TTL or CMOS signals only.
2		<b>GND</b>	Connected to Vin- terminal.
3	O	Crowbar status	High = fault; Low = normal operation. Internally pulled down.
4		+5V	Auxiliary +5V power supply. Up to 200mA output current capability.
5	I	Interlock	Open = locked; Low = operates. Internally pulled up.
6	O	Over-temperature warning	High = $t^{\circ} > 60^{\circ}\text{C}$ ; Low = $t^{\circ} < 58^{\circ}\text{C}$ . Internally pulled down.
7		<b>GND</b>	Connected to Vin- terminal.
8		-15V	Auxiliary -15V power supply. Up to 20mA output current capability.
9	O	Voltage monitor	0-10V = 0-10V at the output.
10		+15V	Auxiliary +15V power supply. Up to 20mA output current capability.
11	O	Current monitor	0-5V = 0-15A at the output.
12		<b>GND</b>	Connected to Vin- terminal.
13	I	Current set	0-5V = 0-15A at the output.

14	NTC Interlock	Connect NTC thermistor 10k between this pin and GND.
----	---------------	------------------------------------------------------

### 13. Analogue control description

#### Enable

The enable pin is active high 3.3V and 5V compatible logic input. Driver operates when enable pin is high. To ensure correct start-up without overshoot, the soft-start sequence initiates when the enable pin becomes high.

The enable pin can be used for QCW operation. The output may be pulsed by applying a TTL square signal to enable pin.

#### Crowbar status

Crowbar status pin reports the status of the protection shorting crowbar clamp across the output. The crowbar will short the output while over-current shutdown and over-temperature shutdown. While the protection shutdown the enable pin is ignored. Disconnect the driver from power to reset the protection status.

#### Interlock

The Interlock pin must be connected to GND in order for output current to be delivered. It can be used for external interlock e.g. door or over-temperature switches.

#### Over temperature warning

When the temperature of driver PCB exceeds 60°C the over-temperature warning will go high to indicate driver is in danger of shutting down due to over-temperature condition. When temperature of driver PCB exceeds 80°C, the driver will stop. The driver can be restarted when the temperature drops to 58°C.

#### Voltage monitor

The output voltage of the driver can be monitored by voltage monitor. 0-10V = 0-10V with +/-2% accuracy. **The voltage is measured between LD+ and LD- terminals.**

#### Current monitor

The output current of the driver can be monitored by current monitor. 0-5V = 0-15A with +/-2% accuracy.

#### Current set

The driver output current is set by applying an analog signal to the current set pin. 0-5V = 0-15A.

The current set pin can be used for analogue modulation by applying sign, square or ramp signal with the DC component. Analogue modulation amplitude depends on frequency. Please, control the output current while using this feature.

**If you use arbitrary/function generator or lab PS for current set, make sure it is in High Z mode. Please, control the current set and current monitor pin voltages while getting started.**

#### NTC Interlock

Thermistor connection. Allows you to measure the temperature of a laser or other devices. The measurement result is readable by the digital interface. Set upper and lower limits of the temperature at the outlet of which driver operation is blocked. When the temperature returns to the specified range, the driver operation resumes.

### 14. How to get started

1. Unpack your driver;
2. Connect a dummy load (e.g. a Schottky diode) to the LD- and LD+ terminals. Please note polarity;
3. Connect the controls (analogue and/or digital);
4. Connect the power supply. Please note polarity;
5. Rotate the current limit potentiometer counterclockwise several times;
6. Turn on the power supply;
7. Set the current equal to the desired current limit threshold;
8. Enable the driver;
9. Rotate the potentiometer slowly while the crowbar status pin becomes high;
10. Restart the power supply to reset protection;



11. Make sure the over-current protection limit is set right;
12. Make sure that all controls are working;
13. Turn off the power supply and disconnect a dummy load;
14. Connect the laser diode to the LD- and LD+ terminals. Please note polarity.

#### 15. Cooling

The driver produces up to 6W of losses. Thus the base plate has to be mounted on a thermal conduction surface to ensure proper operation and prevent an over-temperature shutdown. If the conduction cooling is not enough an additional cooling may be achieved by placing the driver into the airflow of a fan.

#### 16. Internal protections

Several security features protect the laser diode and driver from damage. Reverse diode protects the laser diode from reverse currents. In case of an over-current or an over temperature condition, the control logic disables the driver and the output shorts by a crowbar clamp. A soft-start mechanism slowly raises the current at startup to protect the laser diode against current overshooting.

#### 17. Software

We offer own software to control driver. You can find it at [maimanaelectronics.com](http://maimanaelectronics.com) in the downloads section of the product page. Or contact us at [info@maimanaelectronics.com](mailto:info@maimanaelectronics.com).

#### 18. Digital control description

When the input voltage applied the driver is always in “analogue current set, external enable and allowing interlock” state. Any other state should be set any time after powering the driver if needed.

#### Default serial port settings:

Baud rate	Data bits	Stop bits	Parity	Flow control
115200	8	1	none	none

Data exchange between the driver and the PC is only initiated by the PC. All commands are sent in plain text format. All commands are sent with prefix. Number of command follows the prefix without any symbols. If there is the value after the command they separates with “space” symbol. The command ends with “carriage return” symbol.

The format of the command to set the value (P-type);

Number of byte	Value	Comment
1	P (50h)	Set prefix
2-5	Number of the parameter	Hex-number of the parameter. For example, 0100h
6	‘space’ symbol (20h)	
7-10	New value of the parameter	Hex-value of the parameter. For example, 0000h
11	‘return carriage’ symbol<CR> (0Dh)	End of the command

The device does not respond to P-type commands by default. (see section “the protocol extension”)

You can request the value of parameter by the J-type command. The device will return a value of requested parameter.

The format of the command to get the value (J-type)

Number of byte	Value	Comment
1	J (4Ah)	Request prefix
2-5	Number of the parameter	Hex-number of the parameter. For example, 0100h
6	‘return carriage’ symbol<CR> (0Dh)	End of the command

The format of the response

Number of byte	Value	Comment
1	K (4Bh)	Response prefix
2-5	Number of the parameter	Hex-number of the requested parameter
6	‘space’ symbol (20h)	
7-10	Returned value of the parameter	Hex-value of the parameter
11	‘return carriage’ symbol<CR> (0Dh)	End of the command

If the device could not recognize a command, it returns an error message with error code.

The format and codes of errors

Error (returned command)	Reasons (one or few)
<b>E0000</b>	1) Internal buffer of device is overflowed. 2) Cannot find <CR> (0x0D) or \and <LF> (0x0A). 3) Format of command is invalid.
<b>E0001</b>	1) Unknown command (it does not P- or J-type command). 2) The device failed to correctly interpret a command.
<b>E0002</b>	The CRC of received command (see section “the protocol extension”).
<b>K0000 0000</b>	Request or set the parameter that does not exist.

Available parameters and its description

Action		R/W	HEX-number of parameters	
<b>Frequency (0.1 Hz)</b>	Value	R/W	0100	
	Minimum	R	0101	
	Maximum	R	0102	
<b>Duration (0.1 ms)</b>	Value	R/W	0200	
	Minimum	R	0201	
	Maximum	R	0202	
<b>Current (0.01 A)</b>	Value	R/W	0300	
	Minimum	R	0301	
	Maximum	R	0302	
	Measured value (0.1A)	R	0307	
<b>Current set calibration (0.01%)<sup>2</sup></b>	Value	R/W	030E	
<b>Voltage (0.1 V)</b>	Measured value	R	0407	
<b>State of the device</b>	Start (Enable)	0008h	<b>W</b>	0700
	Stop (Disable)	0010h		
	Internal current set	0020h		
	External current set	0040h		
	External Enable	0200h		
	Internal Enable	0400h		
	Allow Interlock	1000h		
	Deny Interlock	2000h		
	Deny NTC Interlock	4000h		
	Allow NTC Interlock	8000h		
<b>State of the device (bit mask)</b>	0 bit	1 – Device is powered on (always = 1)	<b>R</b>	0700
	1 <sup>st</sup> bit	0 – Stopped; 1 – Started		
	2 <sup>nd</sup> bit	Current set: 0 – External; 1 – Internal		
	4 <sup>th</sup> bit	Enable: 0 – External; 1 – Internal		
	6 <sup>th</sup> bit	External NTC Interlock: 0 – Allowed; 1 – Denied		
	7 <sup>th</sup> bit	Interlock: 0 – Allowed; 1 – Denied		
<b>Serial number</b>	Return the hex-value of the serial number	R	0701	

<b>Device model and version ID</b>	Return identification number		R	0702
<b>Information about parameters that you can change (bit mask)</b>	0 bit	1 – the device supports this option	R	0703
	1 <sup>st</sup> bit	Frequency		
	2 <sup>nd</sup> bit	Duration		

<sup>2</sup> Default – 100.00% (2710h), calibration range is from 95.00% (251Ch) to 105.00% (2904h).

	3 <sup>rd</sup> bit	Current		
<b>Lock status (bit mask)*</b>	0 bit	Reserve	R	0800
	1 <sup>st</sup> bit	Interlock		
	3 <sup>rd</sup> bit	Over current		
	4 <sup>th</sup> bit	Overheat (warning)		
	5 <sup>th</sup> bit	External NTC Interlock		
<b>NTC sensor temperature (0.1°)</b>	Lower limit		R/W	0A05
	Upper limit		R/W	0A06
	Measured value		R	0AE4
	B <sub>25/100</sub>		R/W	0B0E
<b>PCB temperature (0.1°)</b>	Measured value		R	0AF4

\*If temperature of the device reaches the over temperature warning threshold the overheat flag will be set. If the device is in over temperature protection state, then it will be set overheat and over current flags together.

The maximum duration depends on the set value of the frequency. When you change frequency, a new value of the maximum duration is compute automatically. The duration of pulse cannot be less than 2 ms and more than period of frequency minus 2 ms. For low frequencies the duration cannot be more than 5000 ms.

Set the zero frequency to switch the device into CW mode or set not zero frequency value to switch the device into QCW (long pulses) mode. If you try to set a value more or less than limits, then the value will be rounded to limit. Any attempts to set a new state of the device, except “start”, forcibly switch the device to the state “stop”. Some states of the device are mutually exclusive, for example, if you set “Ext. Enable”, then you will not be able to set the state “start”. If you send “start” and “stop” commands to each other, the device will save all parameters in the internal memory. The saving process lasts about 300 ms. In this time the device does not respond to any actions. The device is able to save the next parameters in the internal memory:

- Frequency with limits;
- Duration with limits;
- Current with limits and calibration;
- Temperature limits and B<sub>25/100</sub>;
- Settings of the RS protocol extension (see section «the protocol extension»).

### 19. Digital control description (extended)

**WARNING!** *Extended protocol recommend for advanced users only. In addition, it might be use for integration of the device with other devices.*

Use the parameter number 0704h for configure the extended protocol. In extended protocol, you can enable and disable the next options: checksum (CRC 8-bit CCITT), return a new value of parameter after P-type commands, change baud-rate, change protocol-mode (text-plain or binary).

The description of the protocol extension command

Action			R/W	HEX-number of parameters
<b>Information about the extended protocol</b>	0 bit	1 – the device supports this option	R	0704
	1st bit	Checksum (1 – on, 0 – off)		
	2nd bit	Return a new value for P-type commands (1 – on, 0 – off)		
	3-5 bits	Baud - rate 0 – 2400 1 – 9600 2 – 10417 3 – 19200 4 – 57600 5 – 115200 (default)		
	6th bit	Data exchange mode (1 – binary, 0 –text-plain)		
<b>Configuring of the extended protocol</b>	On checksum (CS)	0002h <sup>3</sup>	<b>W</b>	0704

	Off checksum	0004h <sup>3</sup>		
	Return a new value for P-type commands	0008h <sup>3</sup>		
	Do not return answer for P-type commands	0010h <sup>3</sup>		
	Set new baud-rate(baud) <sup>4</sup>	0100h – 2400 0120h – 9600 0140h – 10 417 0180h – 57 600 01A0h – 115200		
	Text-plain mode on <sup>5</sup>	0200h		
	Binary mode on	0400h		

### Text-plain mode

All commands in text-plain mode should be in ASCII.

**WARNING!** If you enable the checksum it will change format of commands. After <CR> symbol you will be write 2 bytes of checksum and last byte will be <LF> (0Ah – “new line” symbol). Checksum is computed for all bytes of command before checksum bytes (including<CR> symbol).

All answers of the device will also contain a checksum, including K-type and E-type answers. Checksum is computed by CRC-CCITT-8 algorithm. This is the main difference between the format of commands for the extended protocol and standard protocol.

The format of commands for enabled checksum

Number of byte	Value	Comment
1	P,J,K,E	Type of command
2-5	Number of parameter	Hex-number of value
6	'space' symbol (20h)	<i>(does not use for J and E-type commands)</i>
7-10	New value of the parameter	Hex-value of parameter <i>(does not use for J and E-type commands)</i>
11	'return carriage' symbol<CR> (0Dh)	End of value
12-13	Checksum	CRC checksum of the first 11 bytes <i>(for J and E-type commands checksum is computed for the first 6 bytes)</i> , including <CR> symbol.
14	'new line' symbol<LF> (0Ah)	End of command

### Possible problems

1. The device waiting for symbol <LF>. If <LF> symbol does not received and buffer is overflowed, then all symbols after overload will be processed as a new command. The device returns an error. In this case, it is recommended to send the <LF> symbol. The device will generate an error and clear the buffer for the next command.

2. All symbols after the <LF> symbol will be processed as a new command.

### Binary mode

The binary mode has a significant difference. In this mode, data are exchanged in binary form. Length of any type of command is 8 bytes! In this mode, next options are always enable and you cannot disable it: return a new value of parameter for P-type commands and checksum. The format of binary mode commands is represented in table 8.

The format of binary mode commands

Number of byte	Value	Comment
1	Type of command	50h (P - ascii) – Set a new value of parameter 4Ah (J - ascii) – Get a value of parameter 4Bh (K - ascii) – Answer of the device 45h (E - ascii) – Error
2-3	Number of parameter	Hex-number of parameter
4-5	Value of parameter	Hex-value of parameter. This value is <b>STRICTLY REQUIRED</b> in the binary mode. If this value does

<sup>3</sup> In binary mode the specified commands are ignored by the device

<sup>4</sup> Here are binary numbers

<sup>5</sup> For more information, see section “binary mode”

		not make sense, it will be returned as 0000 (K or E-type commands) or you should set it field to any value (for P or J-type commands).
6	'return carriage' symbol <CR> (0Dh)	End of value
7	Checksum	CRC checksum of the first 11 bytes (for J and E-type commands checksum is computed for the first 6 bytes), including <CR> symbol.
8	'new line' symbol <LF> (0Ah)	End of command

## 20. Mechanical dimensions

All dimensions are in millimeters. You can download the 3D-model of the driver at [mimanelectronics.com](http://mimanelectronics.com) in the downloads section of the product page.

