

Fiber Coupled Diode Laser (CW)

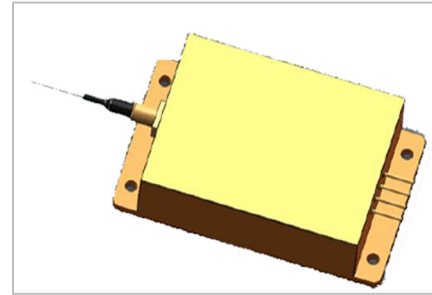
P/N: STHL-525-6-105

Features:

- High Power
- Long Lifetime

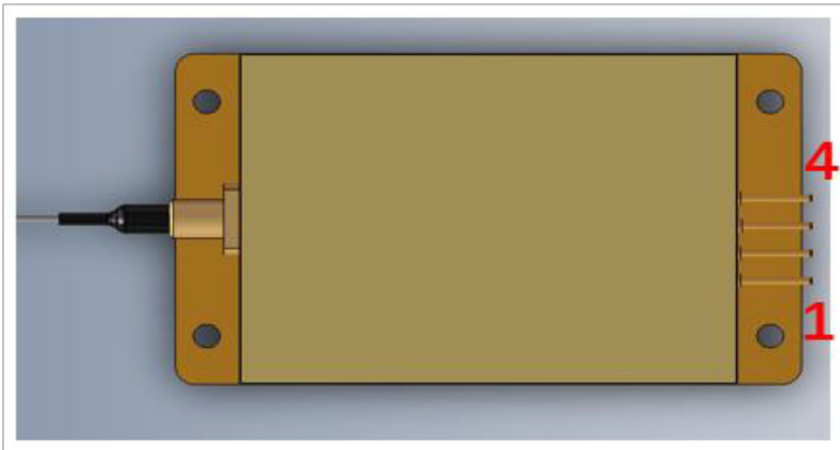
Applications:

- Illumination
- Scientific Research

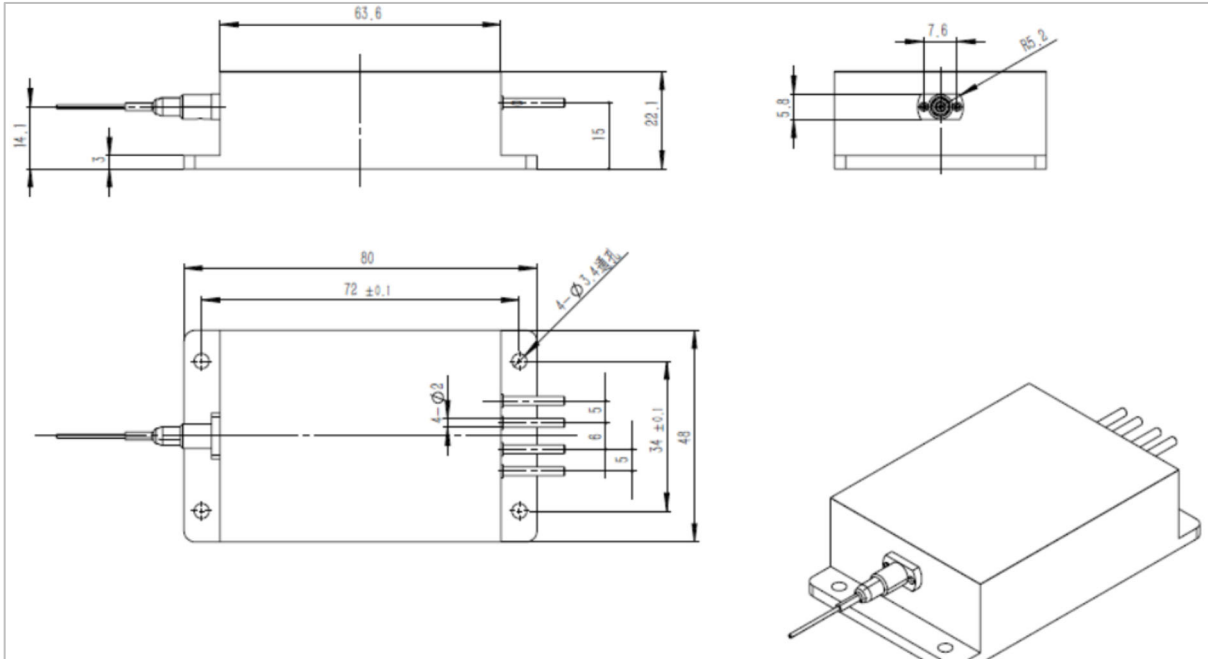

Product Specification

		Unit	Parameter		
			Min. Spec	Typical	Max. Spec
Optical	Output Peak Power	W		6	6.3
	Center Wavelength λ	nm	515	525	535
Fiber Parameters	Fiber Core	μm		105	
	Fiber Cladding	μm		125	
	Fiber Numerical Aperture		0.22		
	Connector Type	-	FC/PC		
	Tube Diameter	mm	0.9mm (black protective cover)		
	Fiber Length	m	1.4	1.5	1.6
	Minimum Bend Radius	mm	30		
Electrical Parameters (1)	Operating Current I_{op}	A		1.95	2.1
	Operating Voltage V_{op}	V		23.6	24
	Power Conversion Efficiency	%	12		
	Threshold Current I_{th}	A		0.3	
Thermal Parameters	Operating Temperature	$^{\circ}\text{C}$	-40		55
	Storage Temperature	$^{\circ}\text{C}$	-45		70
	Storage Relative Humidity	%	15		80

All the parameters were tested in 25 $^{\circ}\text{C}$ temperature, unless otherwise stated.

Electrical Connection:


Pin	Function
1	525nm (+)
2	/
3	/
4	525nm (-)

Device Dimension


This structure drawing is only for reference. For any other special requirement, please feel free to contact us.