

MQH0XX-YYDM-ZZZ (24-80MHz, 25-100W)

Former Model Number: R390XX-YYDMZZZ-A



Description:

The *MQH0XX-YYDM-ZZZ* module is a high power RF driver, designed to drive a Q-switch. The driver has two digital modulation inputs: Fixed and Variable. These controls allow the customer to issue a pulse command of a "Fixed" pulse width, the duration determined by the Driver's pulse width control, settable by the customer, or issue a "Variable" pulse command, the duration determined by the input signal's pulse width. The output power is controlled by the analog input, where the mode of operation is defined by ZZZ = A05 normal analog mode, or R05 analog switched to full RF mode or a triggered RF Ramp Down mode where ZZZ = FPS first pulse suppression mode or PPK pre-pulse kill mode. The choices of Frequency (XX), Output Power (YY), and Power Control (ZZZ) option are "Factory Set" when ordered. The RF Driver requires forced air cooling.

The product delivered will be manufactured to be compliant with EU Directive 2002/95/EC for Reduction of Hazardous Substance. The product will be manufactured to other standards upon customer request.

Key Features:

- 24, 27.12, 40.68, 68, or 80 MHz RF frequency (XX)
- 0.01% Quartz Stabilized
- Up to 100* watts RF power output (YY)
- Two TTL Digital Modulation Inputs: fixed and variable pulse width.
- Analogue Modulation or Triggered RF Ramp Down Mode (ZZZ)
- Up to 100 kHz Pulse Rate.
- Fault Protection on Low Power, High Power, and High VSWR
- Operates on 28 VDC

Applications:

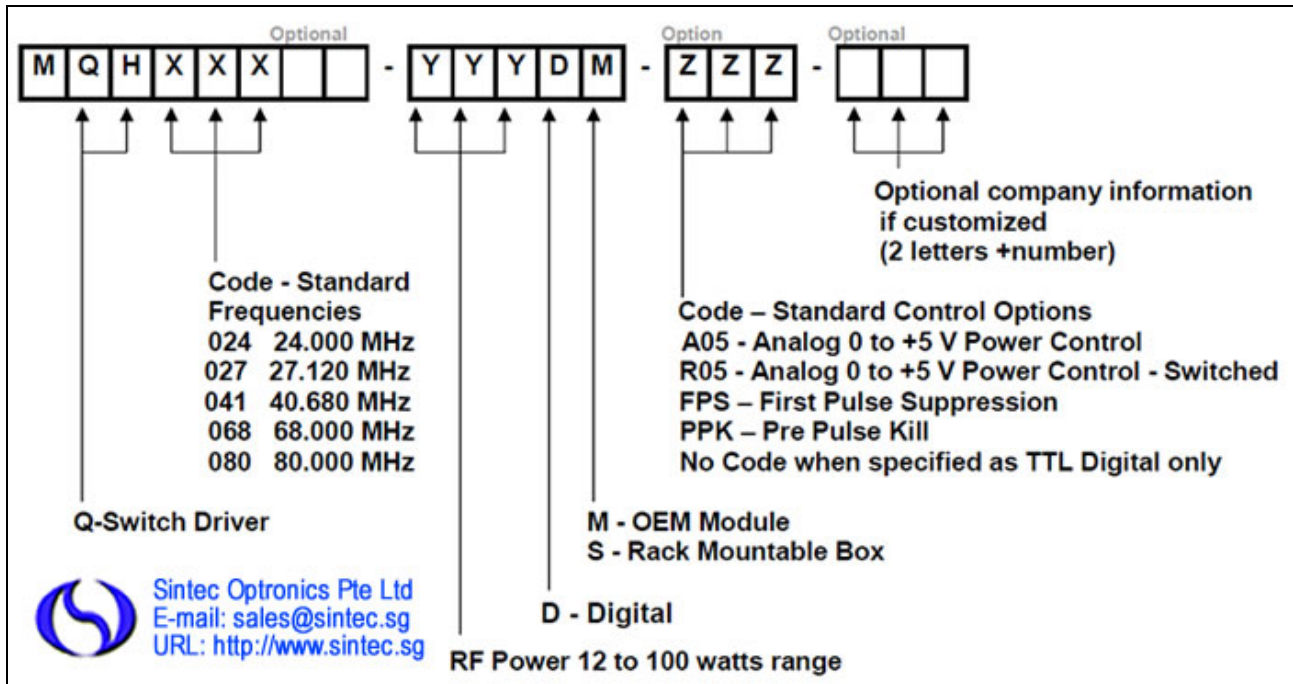
- RF Driver for an Acousto-Optic Q-Switch Device used to spoil the "Q" of a CW laser so as to output an intense pulse of light.
- Used in industrial, medical, or military applications.

Specifications:

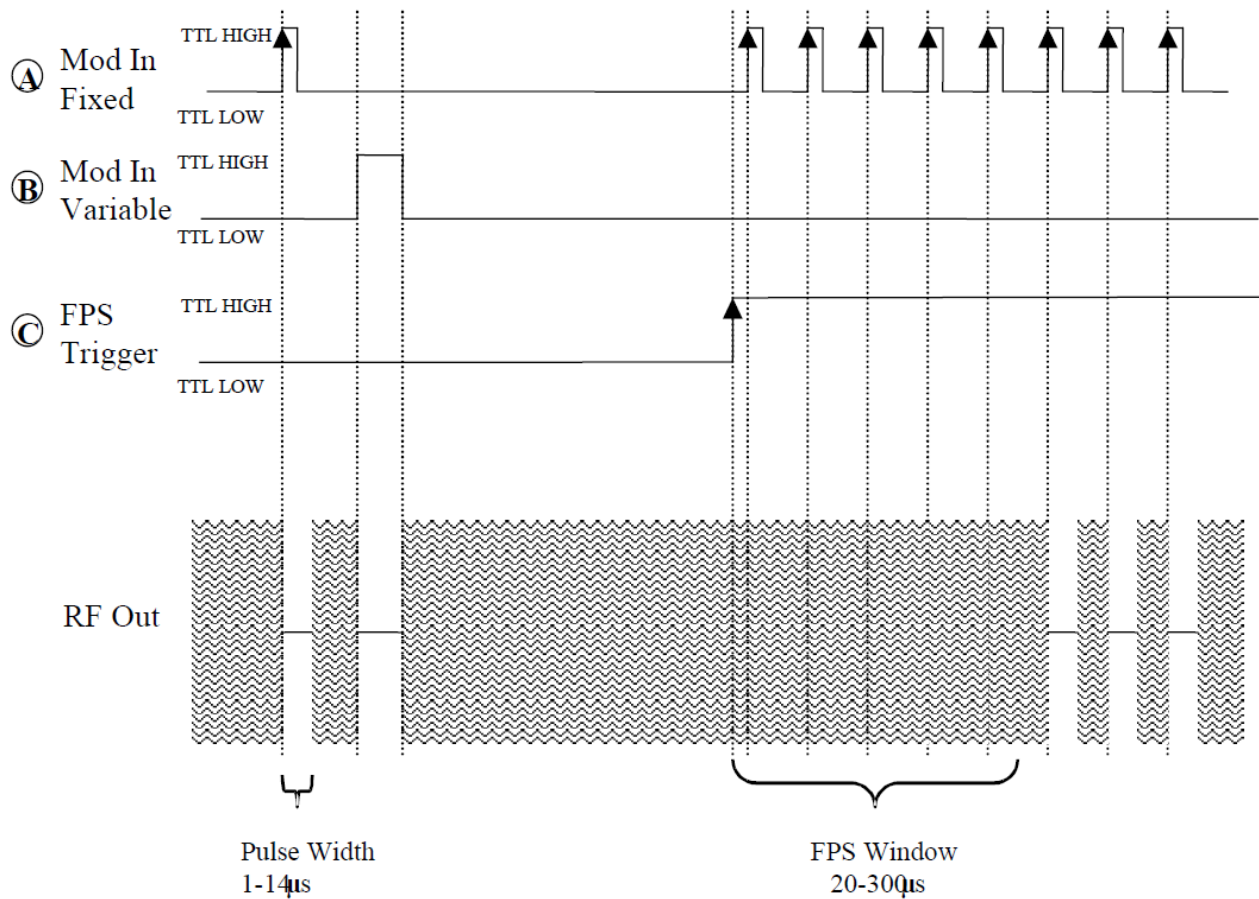
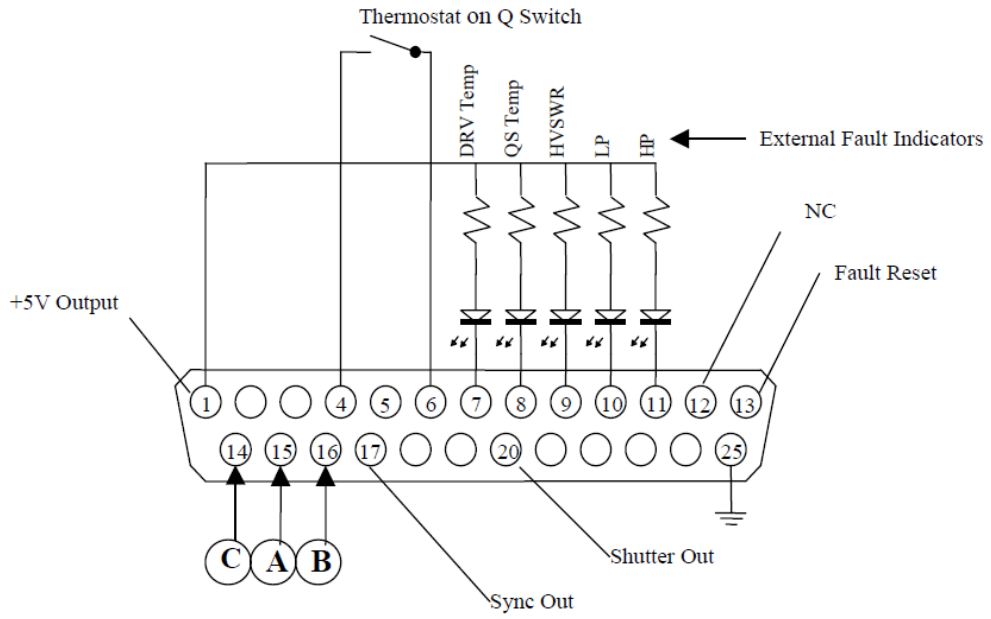
RF Frequency:	24.00, 27.12, 40.68, 68.00, 80.00 MHz \pm 0.01%
Spurious Levels:	-50 dBc maximum
Harmonic Distortion	-30 dBc maximum
Digital Inputs:	
Fixed Mod In	TTL Levels, Triggered on Rising Edge. Pulse Width Applied >50 ns.
Variable Mod In	TTL Levels, TTL High = RF off

Ordering Codes:

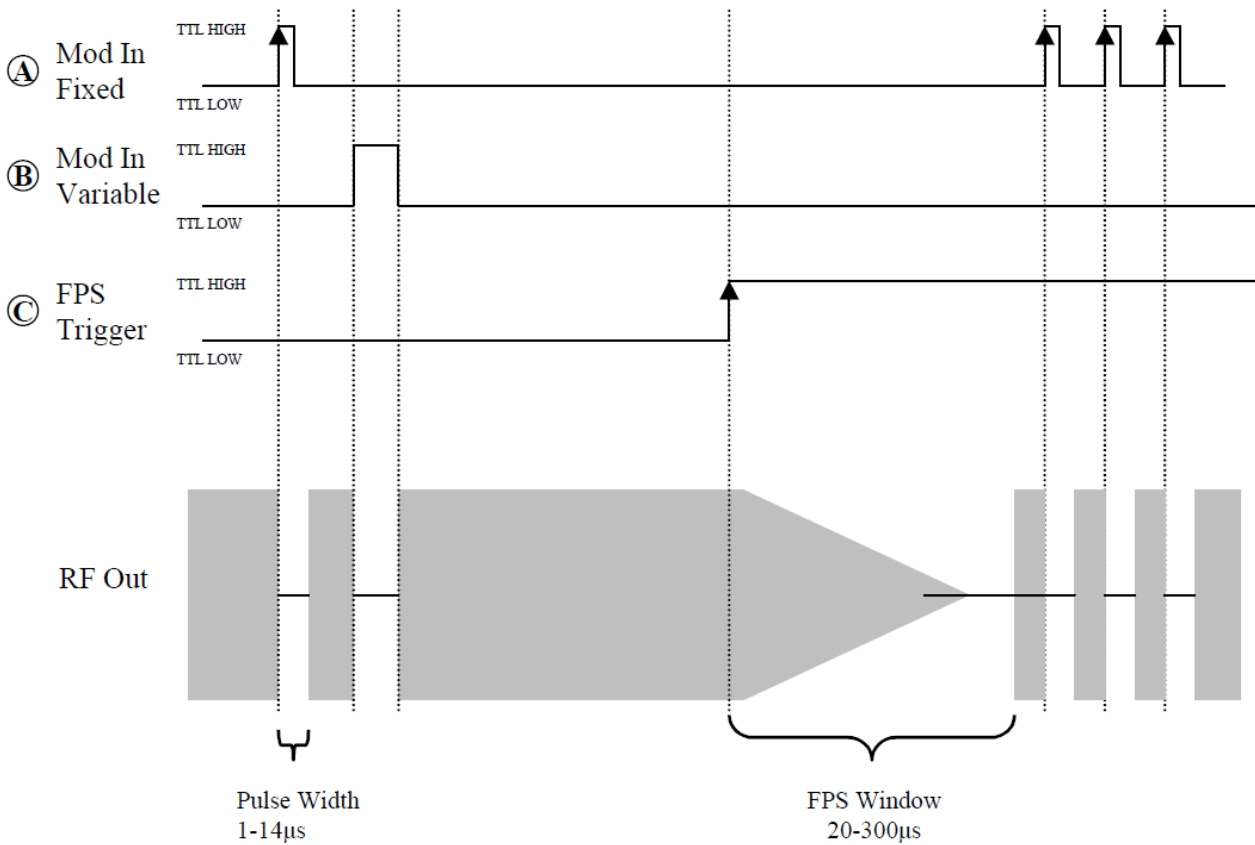
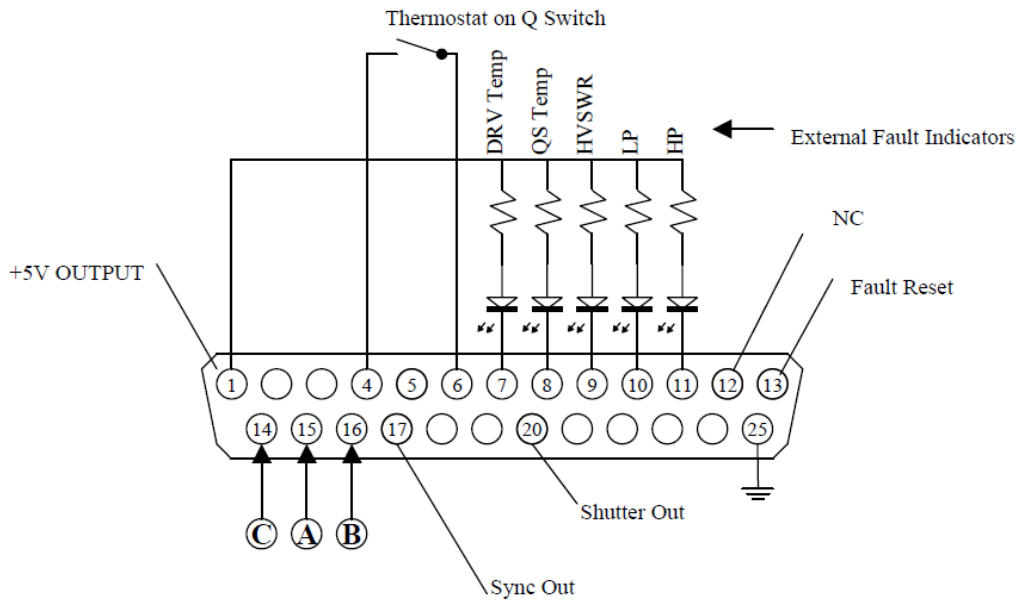
Example: MQH027-100DM-A05, A 27 MHz RF Driver with two TTL digital Modulation inputs (fixed and variable pulse width) and an analog input (A05) which enables control of the RF output power. Designed to Drive an AO Q-switch requiring 100 watts RF Power or less. Delivered as a RoHS compliant, forced air cooled OEM Module.



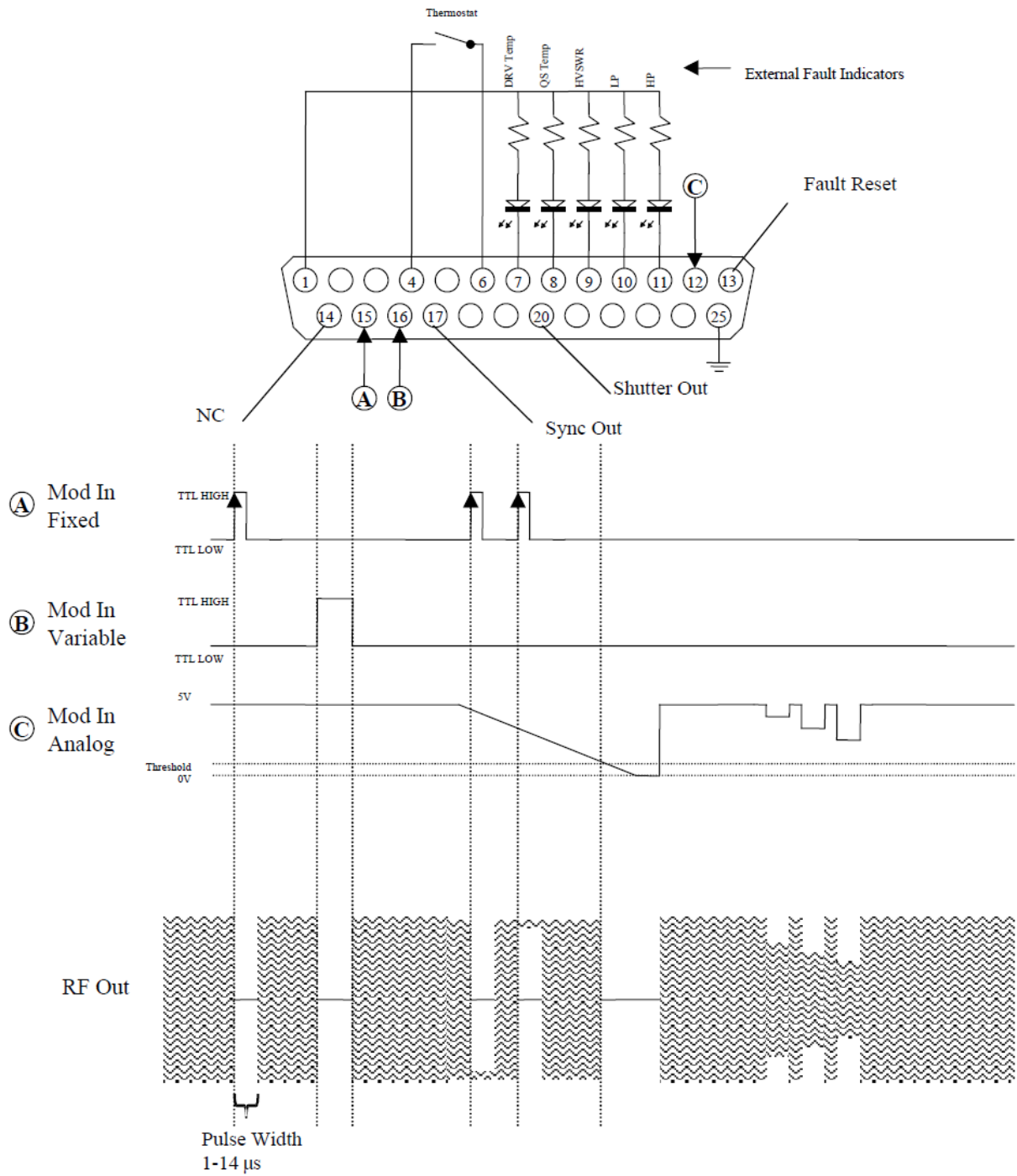
MQH0XX-YYDM-FPS (HIGH POWER) First Pulse Suppression Control
Connection and Control Diagrams



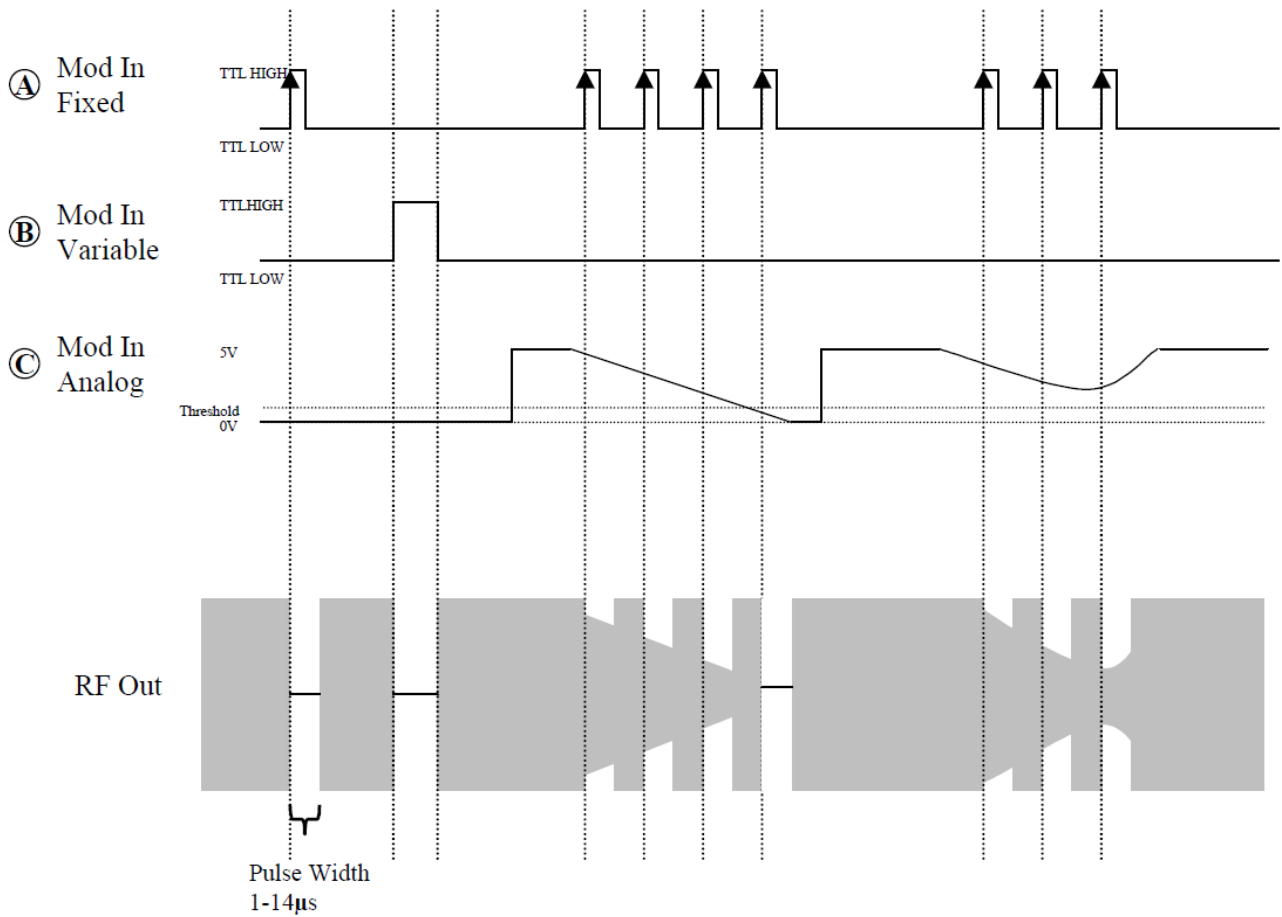
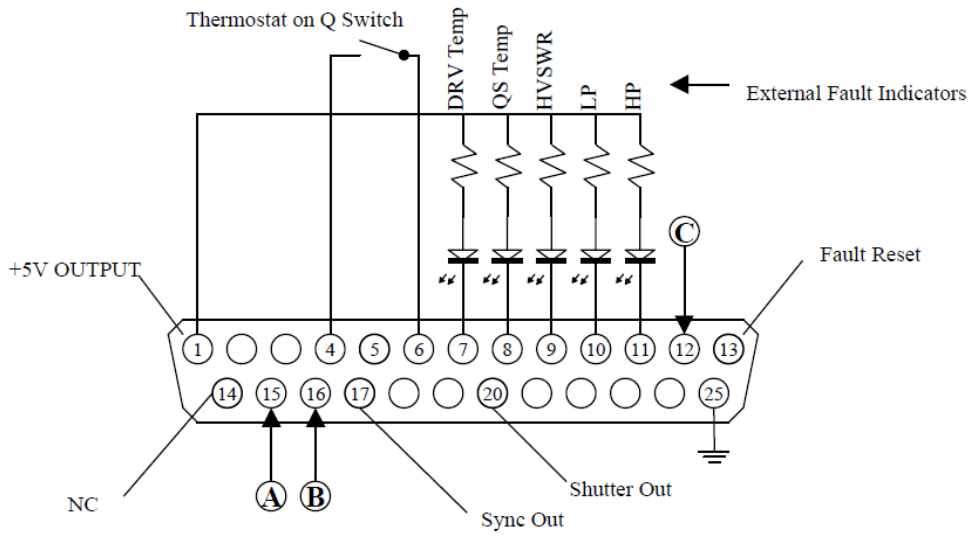
MQH0XX-YYDM-PPK (HIGH POWER) Pre-Pulse Kill Control
Connection and Control diagram



MQH0XX-YYDM-A05 (HIGH POWER) Analog 5 Volt Control
Connection and Control Diagrams



MQH0XX-YYDM-R05 (HIGH POWER) RF Switch to Analog 5 Volt Control
Connection and Control Diagrams



MQH0XX-YYDM (HIGH POWER) Digital Control Only
Connection and Control Diagrams

