

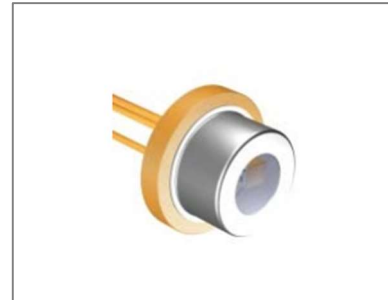
STW Series Single Mode Laser Diodes

P/N: STW-LD-1064-050m-1-PD

We offer the high-quality Laser Diode with single mode beam, the wavelength range is from 405nm to 1650nm and the output power ranges from 5mW to 300mW. The photodiode is optional for customers. Now the standard package can be TO38, TO18 and TO5 Package. We adopt AuSn solder technology to package the laser diode. To ensure the long-term reliability, each laser diode will undergo rigorous testing and aging in factory. Meanwhile the high-low storage temperature circulation is also necessary for each laser diode. We set the storage temperature range from -40 degree C to +85 degree C, and it lasts 10 cycles, which will ensure the long-term stability of laser diode.

Features:

- 1064nm
- CW
- Built-in Photodiode
- Single mode Laser diode
- TO18 package



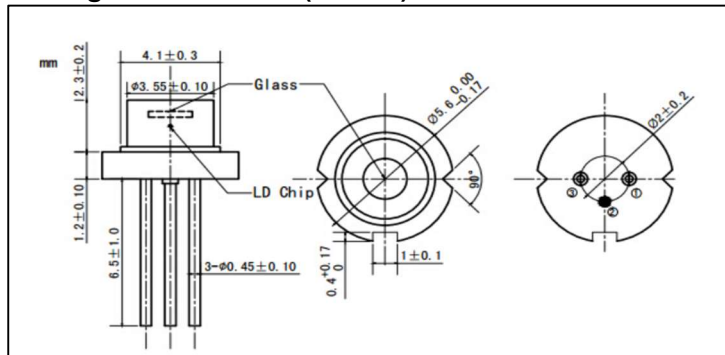
Applications:

- Medical Laser treatment
- Laser indicator
- Laser detector
-

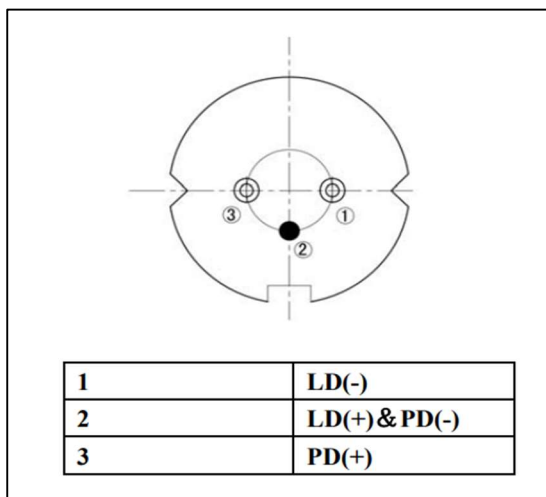
Specifications:

Parameter	Min	Typ	Max
Center Wavelength@25°C	±3nm	1060nm	±10nm
Spectral width (FWHM)	-	2nm	-
Output power	-	40mW	50mW
Emitter size	-	3um*1um	-
Beam divergence	-	28° ⊥ 12° //	-
Temperature coefficient of wavelength	-	0.3nm/°C	-
Slope efficiency	-	0.7mW/mA	-
Threshold current (Typ.)	-	25mA	40mA
Operating current (Typ.)	-	100mA	120mA
Operating voltage	-	1.5V	2.0V
Monitor current	-	0.1mA	-
Package style	TO18		
Reverse voltage	2.0V		
Operating temperature	-10 ~ 40°C		
Storage temperature	-40 ~ 85°C		
Lead soldering temperature (10 sec)	260°C		

Package View of TO18(5.6mm)



Pin Out View



Store in non-extreme conditions. Suggest using the constant current power supply.

