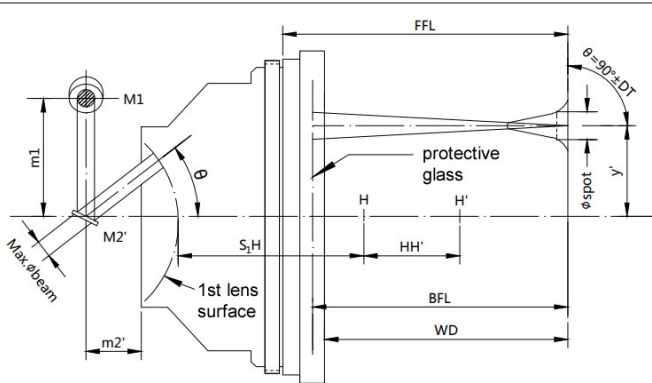


## Scan Lens (F-theta Lens)

Part number STY-70T-355

$\lambda$ (nm)	355	
$m_1$ (mm)	12.5	
$m_2$ (mm)	15	
Max. $\phi$ beam(mm)	10	
$\phi$ spot( $\mu$ m)	4.5	
$\theta$ (deg)	$\pm 16^\circ$	
$2y$ (mm)	$\phi 40(28 \times 28)$	
EFL(mm)	73.9	
BFL(mm)	94.35	
FFL(mm)	143.38	
WD(mm)	91.35	
Telecentricity( $^\circ$ )	$1^\circ$	

