

SXM Series Laser Cleaning Machines



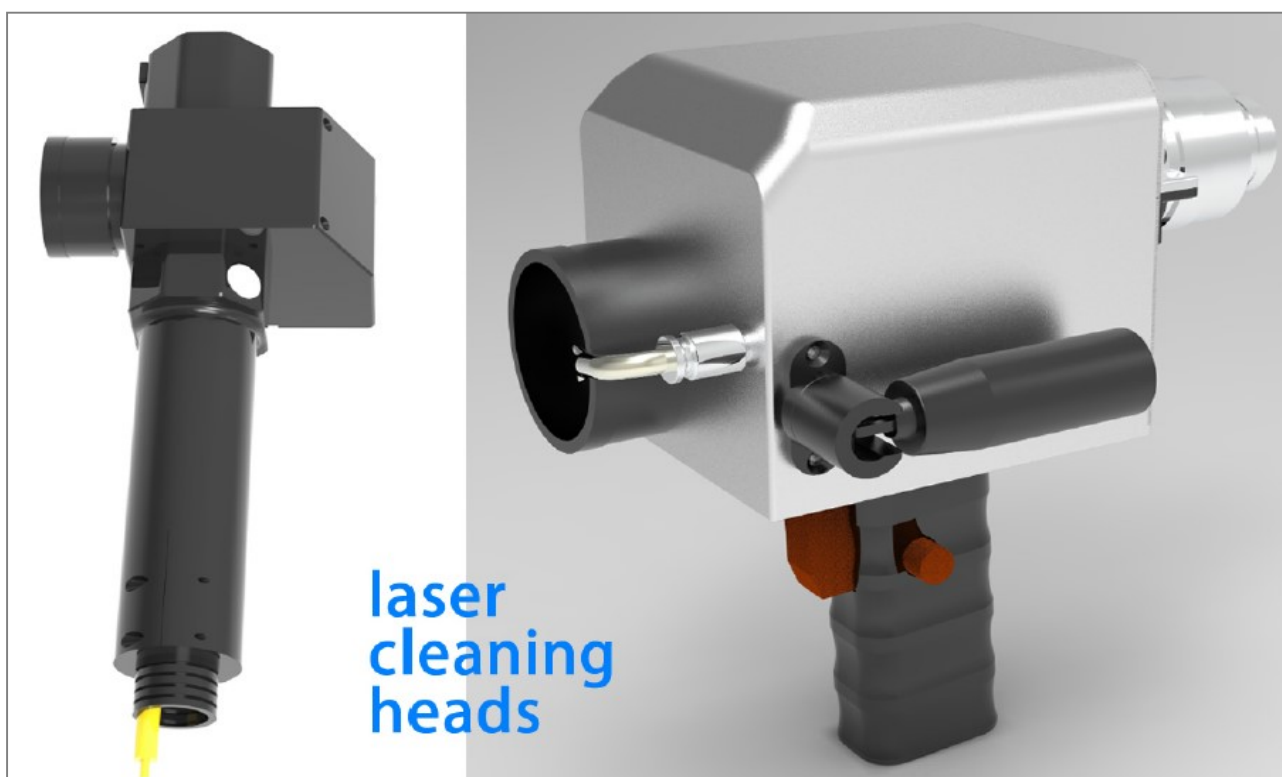
Our laser cleaning machines are mainly used for cleaning various metal surfaces with localized rust, paint, coatings, oil stains, oxide films, and other pollutants. It can also be used for cleaning the surfaces of non-metallic substrates such as ceramics, glass, and composite materials. Typical applications include cleaning of natural oxide film on aluminium alloy before welding, cleaning of black and gray oxide on battery trays after welding, cleaning of welds on train bogies before non-destructive testing, cleaning of automotive sheet metal parts before refurbishment, and cleaning of parts of steel components such as small holes and grooves that cannot be reached by wire brushes.

Product Advantages:

<p>01</p> 	<p>02</p> 	<p>03</p> 
<p>Professional customized laser light source</p>	<p>Light control technology</p>	<p>Multiple security measures</p>
<p>04</p> 	<p>05</p> 	<p>06</p> 
<p>Anti shake technology</p>	<p>Over ten years of process precipitation</p>	<p>Easy to use and durable</p>

1. Hand-held Pulsed Laser Cleaning Machines

Product Specifications:



Part number	SXM-H-100W	SXM-H-200W SXM-H-300W	SXM-H-500W SXM-H-1000W
Laser power	100W	200W/300W	500W/1000W
Machine weight	22kg	60kg	180kg
Cleaning head weight	1.3kg	1.3kg	4.5kg (single mode) 2kg (multiple mode)
Fiber length	5m	5m	10m
External dimensions	603*258*481mm	783*300*784mm	913*573*881mm
Cooling method;	Air cooling	Air cooling	Water cooling
Laser wavelength	1064nm	1064nm	1064nm
Pulse energy	Max. 1.5mJ	Max. 1.5mJ (single mode), 5mJ	
Scanning width	5-150mm adjustable	5-100mm adjustable	5-150mm adjustable
Power consumption @25°C	<500W	<1000W/<1500W	<4000W/<6000W
Supply gas pressure	0.4MPa clean air	0.4MPa clean air	0.4MPa clean air

Cleaned Samples:



2. Hand-held CW Laser Cleaning Machines



The high-power CW laser cleaning machines are mainly used in such as rust removal of steel structures, rust removal of steel plates, rust removal of ships, paint removal of steel structures, paint removal of ships and components, oil removal, etc. Suitable for the refurbishment of marine vessel components, rail transit components, steel structure rust removal, steel structure refurbishment, etc.

Part number	SXM-CW-H-1000W SXM-CW-H-1500W SXM-CW-H-2000W	SXM-CW-H-3000W
Laser power	1000/1500/200W	3000W
Machine weight	170kg	220kg
Cleaning head weight	Lightweight cleaning head	1.5kg
Fiber length	10m	10m
External dimensions	980*420*712mm	1264*779*1287mm
Cooling method;	Internal water circulation	Internal water circulation
Laser wavelength	1080nm	1080nm
Scanning width	5-150mm adjustable	5-150mm adjustable