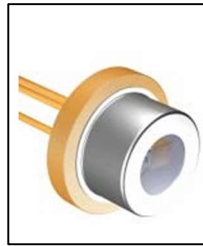


STW Series Fiber Coupled Laser Diode Module

P/N: STW-LD-405-120m-1

Features:

- 405nm
- Single mode beam
- TO18 package


Applications:

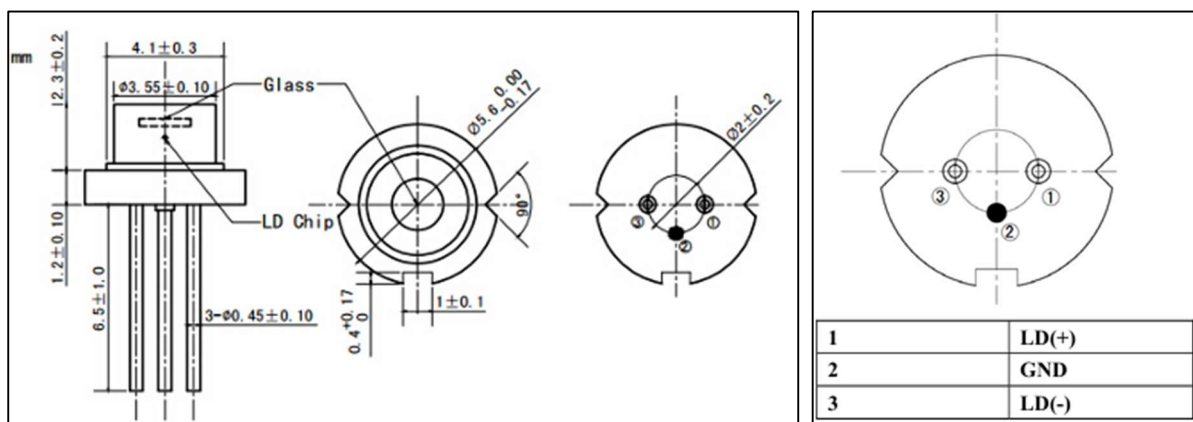
- Medical laser treatment
- Printing
- Others

Parameters:

Parameter	Symbol	Value	Unit
Reverse voltage	V_r	2.0	V
Operating temperature	T_{op}	-10 ~+70	°C
Storage temperature	T_{stg}	-40~+85	°C
Lead soldering temperature (10s)	T_{is}	260	°C

Specifications:

Parameter	Min	Typ	Max
Center wavelength @ 25°C	405nm ±10nm		
Spectral width (FWHM)	2nm		
Output power	100mW	120mW	-
Emitter	Single		
Recommended operating temperature	25°C		
Beam divergence (FWHM)	15° \perp x 5°//	19.5° \perp x 9°//	24° \perp x 12°//
Slope efficiency	1.7mW/mA		
Threshold current (Typ.)		40mA	70mA
Operating current (Typ.)		110mA	130mA
Operating voltage		5.0V	6.0V
Package Style	TO18 (5.6mm)		



Electrically shorten LD module and store in non-extreme conditions.
Suggest using a constant current power supply.